

DATE
DEC. 16, 2010
CAT. #: NP0756

OUTLINE DIMENSIONS

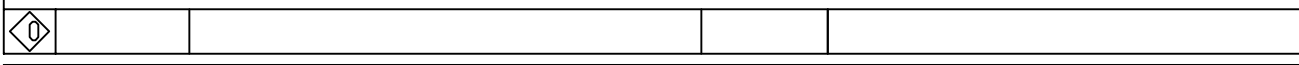
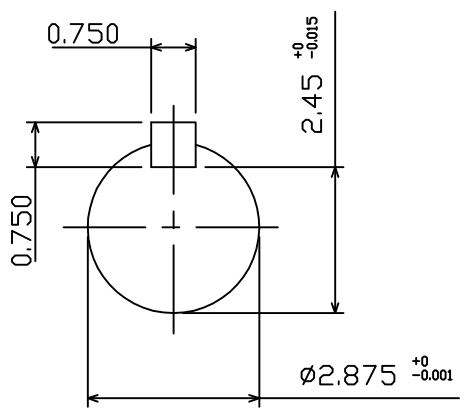
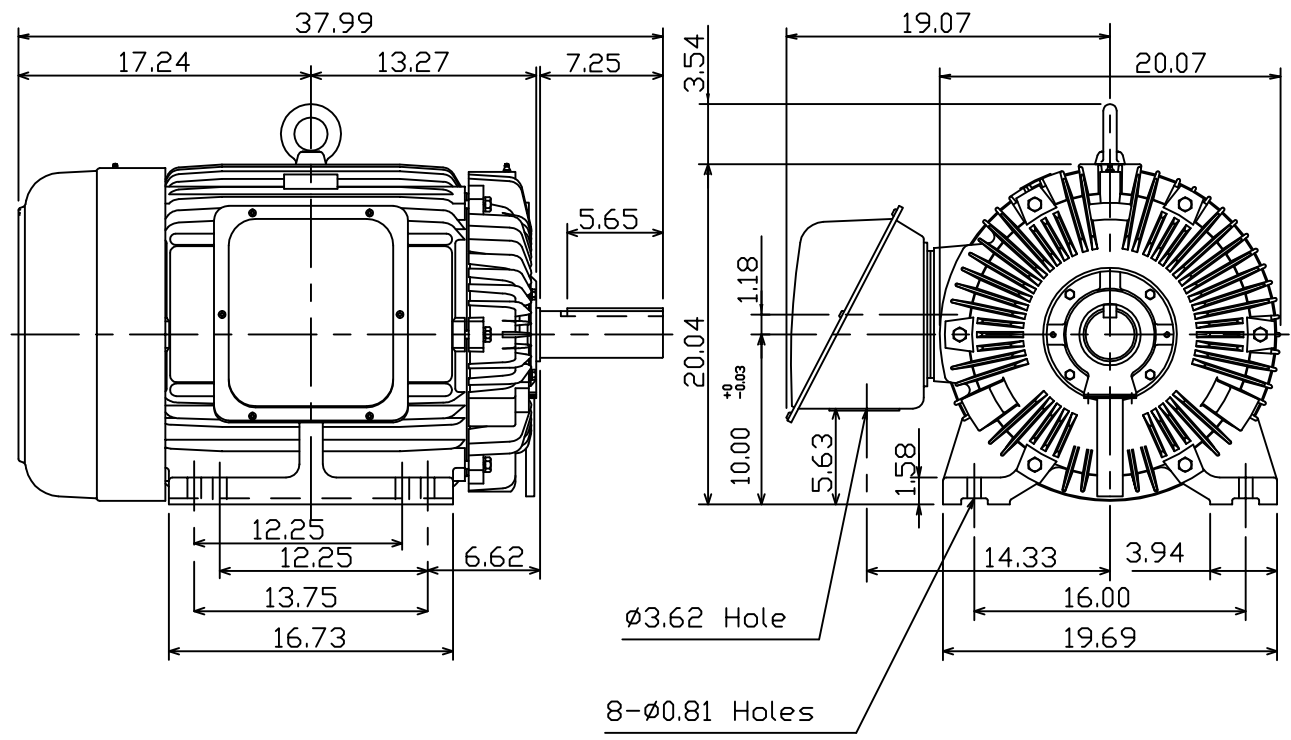
3-PHASE INDUCTION MOTOR

MOTOR TYPE:
AEHH8P
FRAME NO. 405T

Pole	HP	kW	Hz	VOLT	Syn.Speed r/min(rpm)
6	75	56	50	190/380	1000

Ins	Rating	Dimension in	Approx Weight	Bearings	
F	CONT.	inches	1190 lbs.	DE: 6317	NDE: 6313

Totally Enclosed Fan-Cooled Type.Squirrel-cage Rotor.



DWN.	K.L.KUD	12 06 10
CHKD.	K.L.KUD	12 07 10
APPD.	M.C.TSAI	12 07 10



DWG NO.
31049M241710