

DATE  
DEC. 16, 2010  
CAT. #: NP0606G

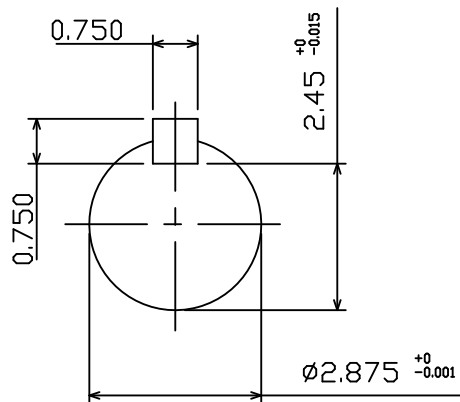
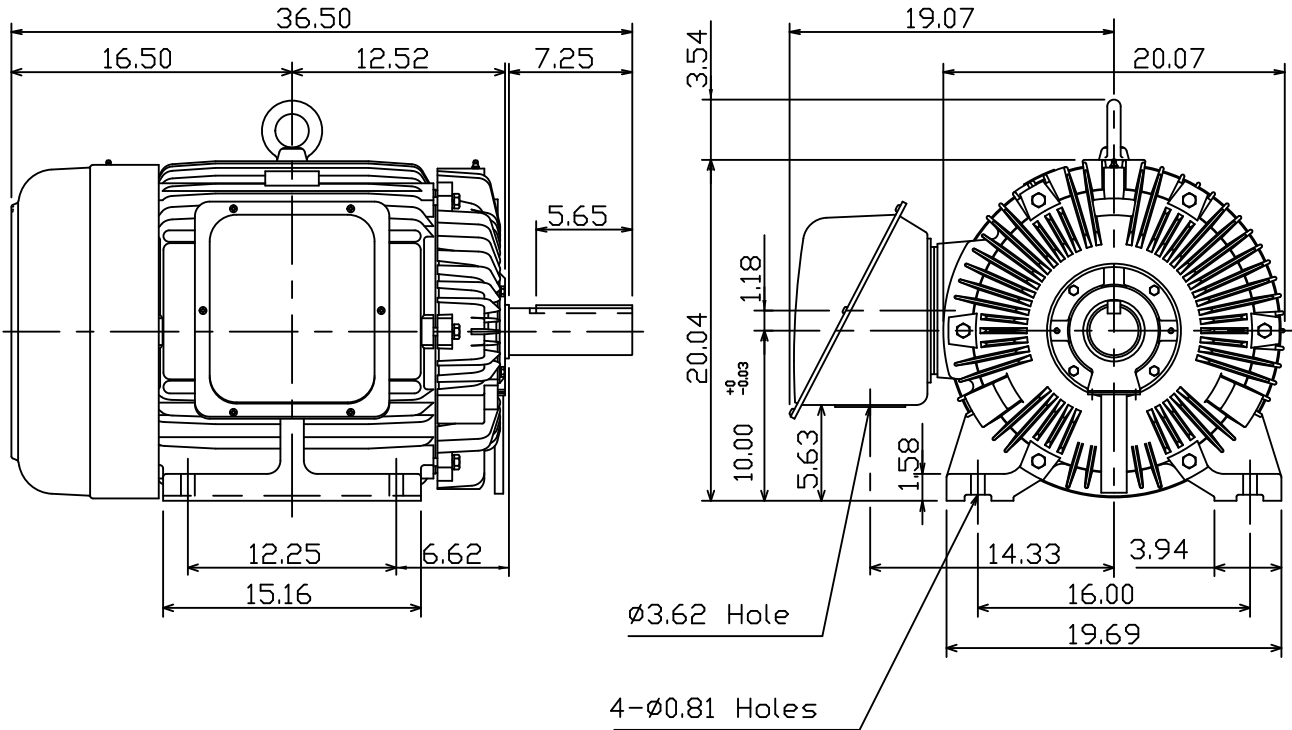
OUTLINE DIMENSIONS  
3-PHASE INDUCTION MOTOR

MOTOR TYPE:  
AEHH8P-SGR  
FRAME NO. 404T

Pole	HP	kW	Hz	VOLT	Syn.Speed r/min(rpm)
6	60	45	60	230/460	1200

Ins	Rating	Dimension in	Approx Weight	Bearings	
F	CONT.	inch	1137 lbs.	DE: 6317	NDE: 6313

Totally Enclosed Fan Cooled Type.Squirrel-cage Rotor.



NOTE:  
1. Shaft Grounding Ring installed-NDE

12.06.10 | 郭耿良

DWN. J.H.LIANG 05.20.99  
CHKD. C.H.KAO 06.11.99  
APPD. Y.B.HUANG 06.11.99



DWG NO.  
31049M240161