

DATE
DEC. 16, 2010
CAT. #: NP0606

OUTLINE DIMENSIONS

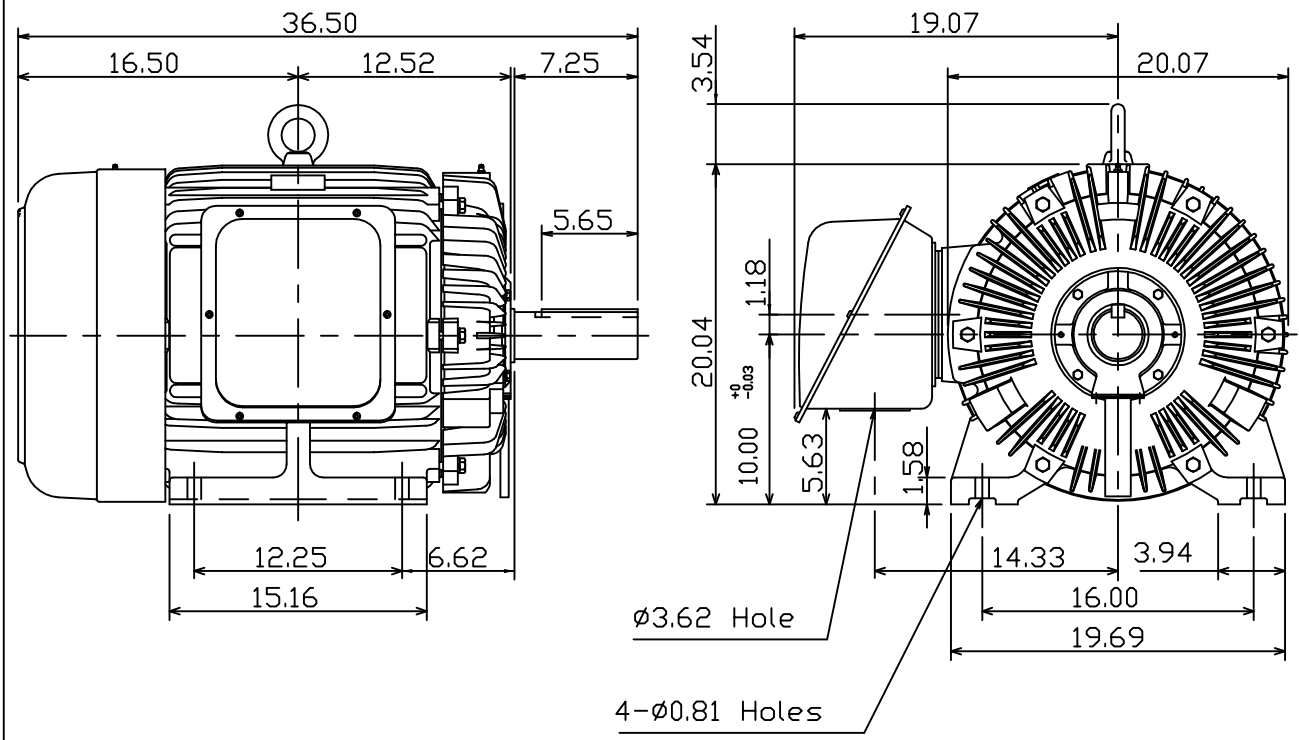
3-PHASE INDUCTION MOTOR

MOTOR TYPE:
AEHH8P
FRAME NO. 404T

Pole	HP	kW	Hz	VOLT	Syn.Speed r/min(rpm)
6	60	45	60	230/460	1200

Ins	Rating	Dimension in	Approx Weight	Bearings	
F	CONT.	inch	1137 lbs.	DE: 6317	NDE: 6313

Totally Enclosed Fan Cooled Type.Squirrel-cage Rotor.



12.06.10 郭耿良

DWN, J.H.LIANG	05-20-99
CHKD, C.H.KAD	06-11-99
APPD, Y.B.HUANG	06-11-99



DWG NO.
31049M240161