

DATE  
DEC. 16, 2010  
CAT. #: NP0604S

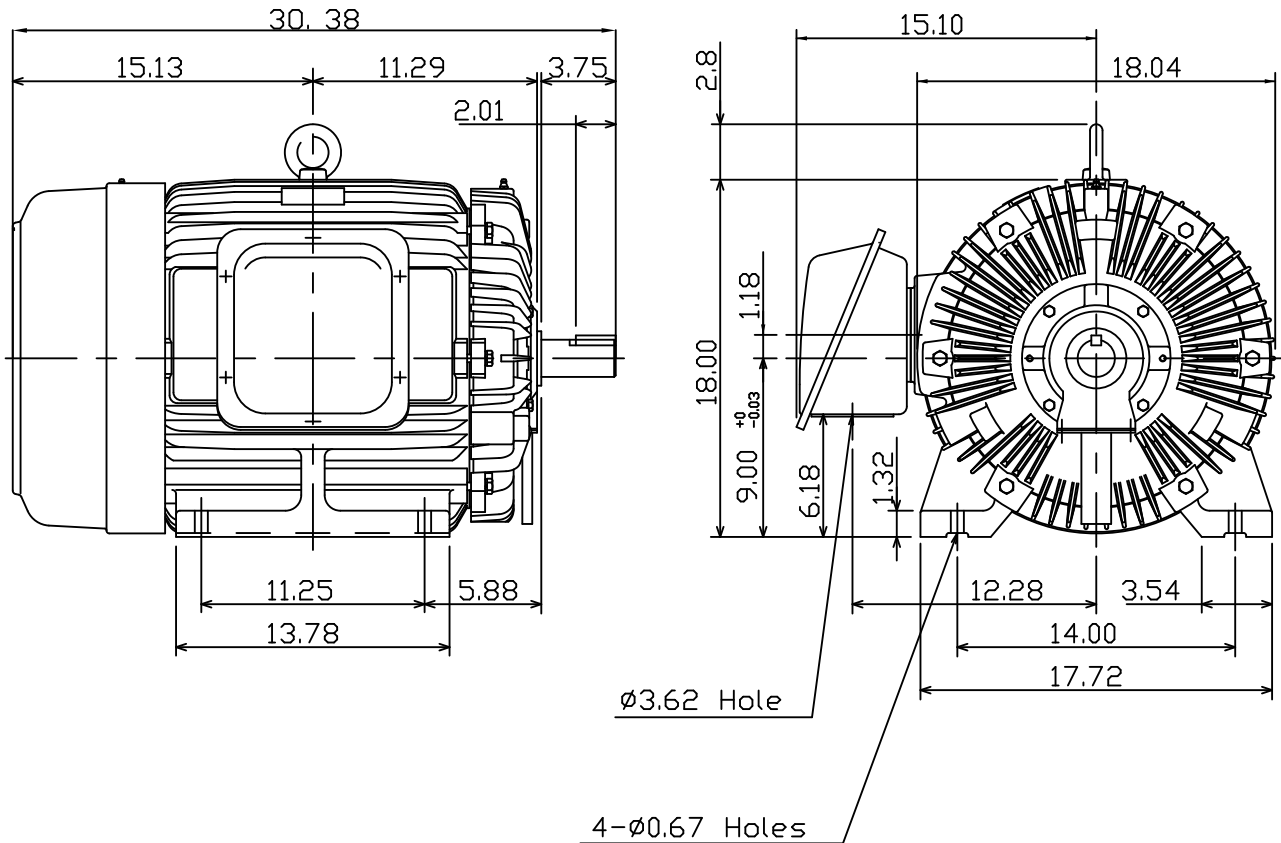
OUTLINE DIMENSIONS  
3-PHASE INDUCTION MOTOR

MOTOR TYPE:  
AEHH8P  
FRAME NO. 364TS

Pole	HP	kW	Hz	VOLT	Syn.Speed r/min(rpm)
4	60	44.8	60	230/460	1800

Ins	Rating	Dimension in	Approx Weight	Bearings
F	CONT.	inch	779 LBS.	DE: 6313C3 NDE: 6213C3

Totally Enclosed Fan-Cooled Type. Squirrel-Cage Rotor.



12.06.10

郭耿良

DWN. J.H.LIANG	05.20.99
CHKD. C.H.KAO	06.15.99
APPD. Y.B.HUANG	06.15.99



DWG NO.  
31049M054062