

DATE
DEC. 13, 2010

CAT. #: NP0604G

OUTLINE DIMENSIONS

3-PHASE INDUCTION MOTOR

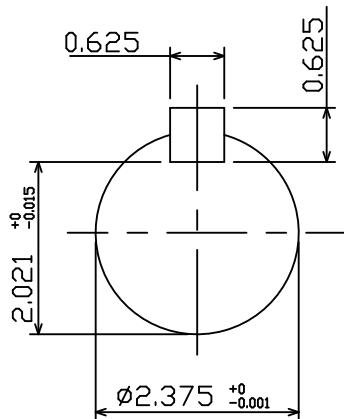
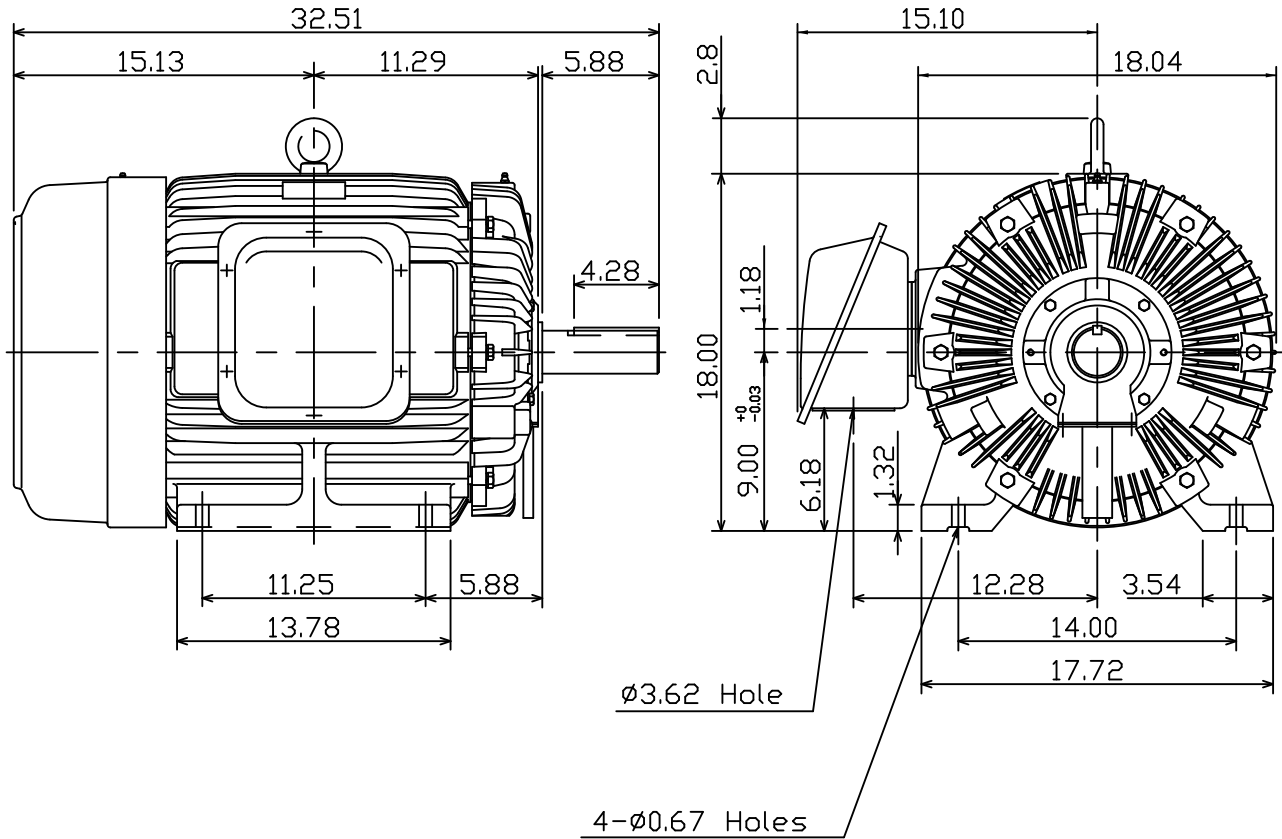
MOTOR TYPE:
AEHH8P-SGR

FRAME NO. 364T

Pole	HP	kW	Hz	VOLT	Syn.Speed r/min(rpm)
4	60	44.8	60	230/460	1800

Ins	Rating	Dimension in	Approx Weight	Bearings	
F	CONT.	inch	779 lbs.	DE: 6313	NDE: 6213

Totally Enclosed Fan-Cooled Type, Squirrel-Cage Rotor.



NOTE:
1. Shaft Grounding Ring installed-NDE

12.06.10 郭耿良

DWN.	J.H.LIANG	05-20-99
CHKD.	C.H.KAO	06-15-99
APPD.	Y.B.HUANG	06-15-99



DWG NO.
31049M055082