

DATE  
DEC. 16, 2010

CAT. #: NP0602G

# OUTLINE DIMENSIONS

## 3-PHASE INDUCTION MOTOR

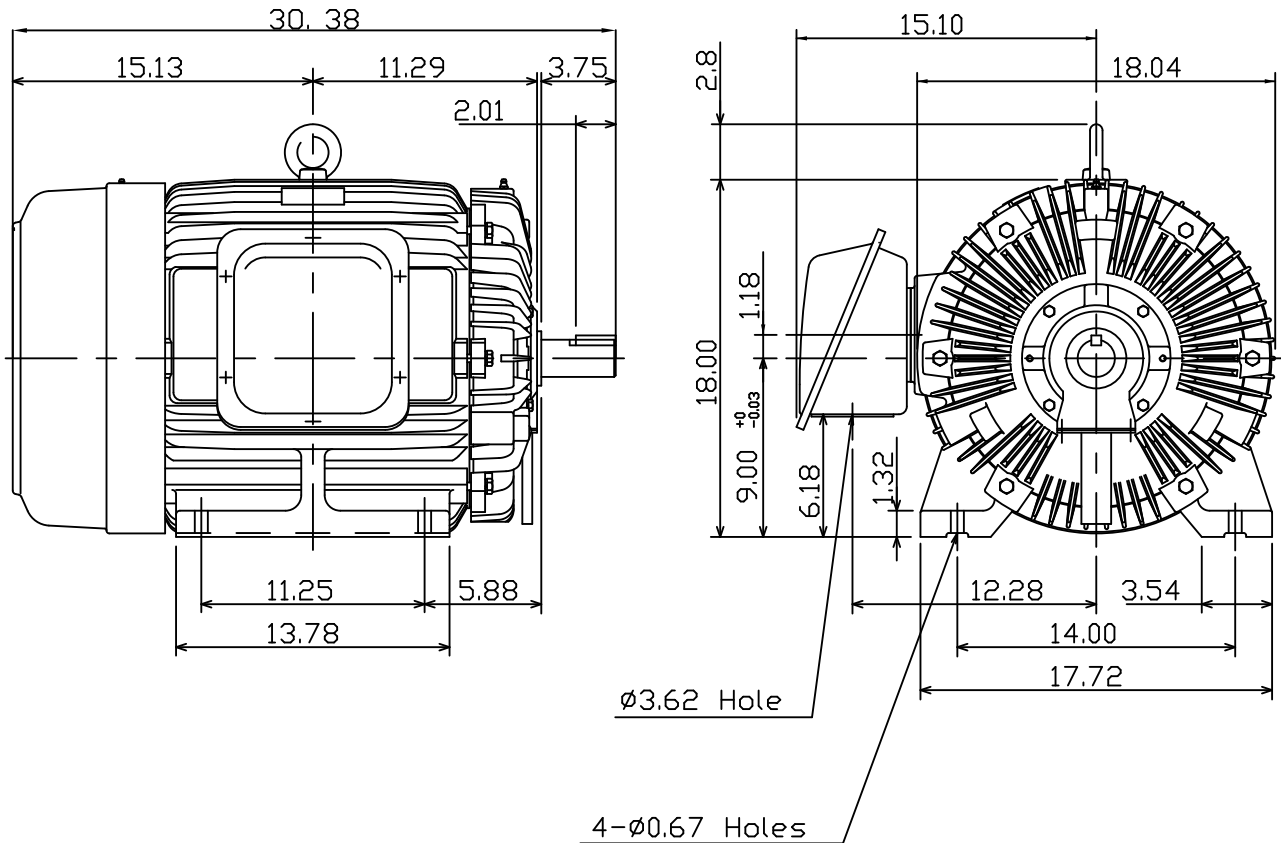
MOTOR TYPE:  
AEHH8P-SGR

FRAME NO. 364TS

Pole	HP	kW	Hz	VOLT	Syn.Speed r/min(rpm)
2	60	45	60	230/460	3600

Ins	Rating	Dimension in	Approx Weight	Bearings
F	CONT.	inch	734 lbs.	DE: 6312C3 NDE: 6212C3

Totally Enclosed Fan-Cooled Type. Squirrel-Cage Rotor.



NOTE:  
1. Shaft Grounding Ring installed-NDE

12.06.10 郭耿良

DWN. J.H.LIANG	05-20-99
CHKD. C.H.KAO	06-15-99
APPD. Y.B.HUANG	06-15-99



DWG NO.  
31049M054062