

DATE
JUNE 27, 2011
CAT. #: NP0602C

OUTLINE DIMENSIONS

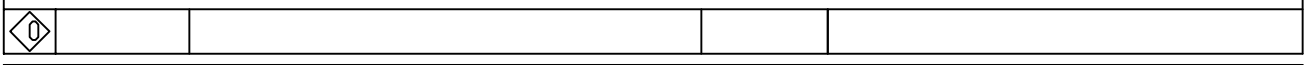
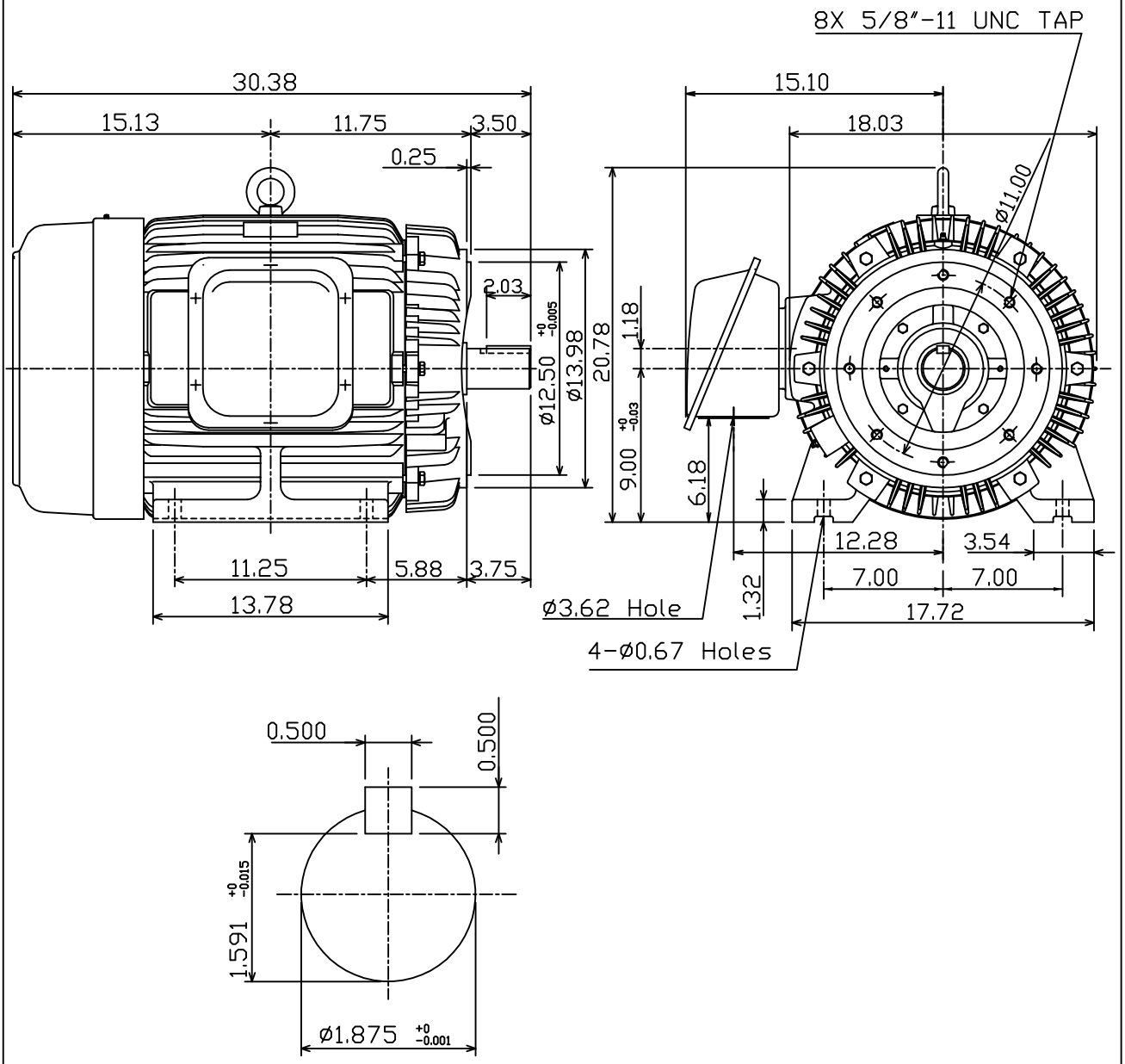
3-PHASE INDUCTION MOTOR

MOTOR TYPE:
AEHH8P-CF
FRAME NO. 364TSC

Pole	HP	kW	Hz	VOLT	Syn.Speed r/min(rpm)
2	60	45	50	190/380	3000

Ins	Rating	Dimension in	Approx Weight	Bearings
F	CONT.	inch	639 lbs.	DE: 6312C3 NDE: 6212C3

Totally Enclosed Fan-Cooled Type. Squirrel-Cage Rotor.



DWN.	K.L.KUD	04-21-11
CHKD.	K.L.KUD	04-21-11
APPD.	M.C.TSAI	04-21-11



DWG NO.
31049M054200