

DATE
JUNE 27, 2011

OUTLINE DIMENSIONS
3-PHASE INDUCTION MOTOR

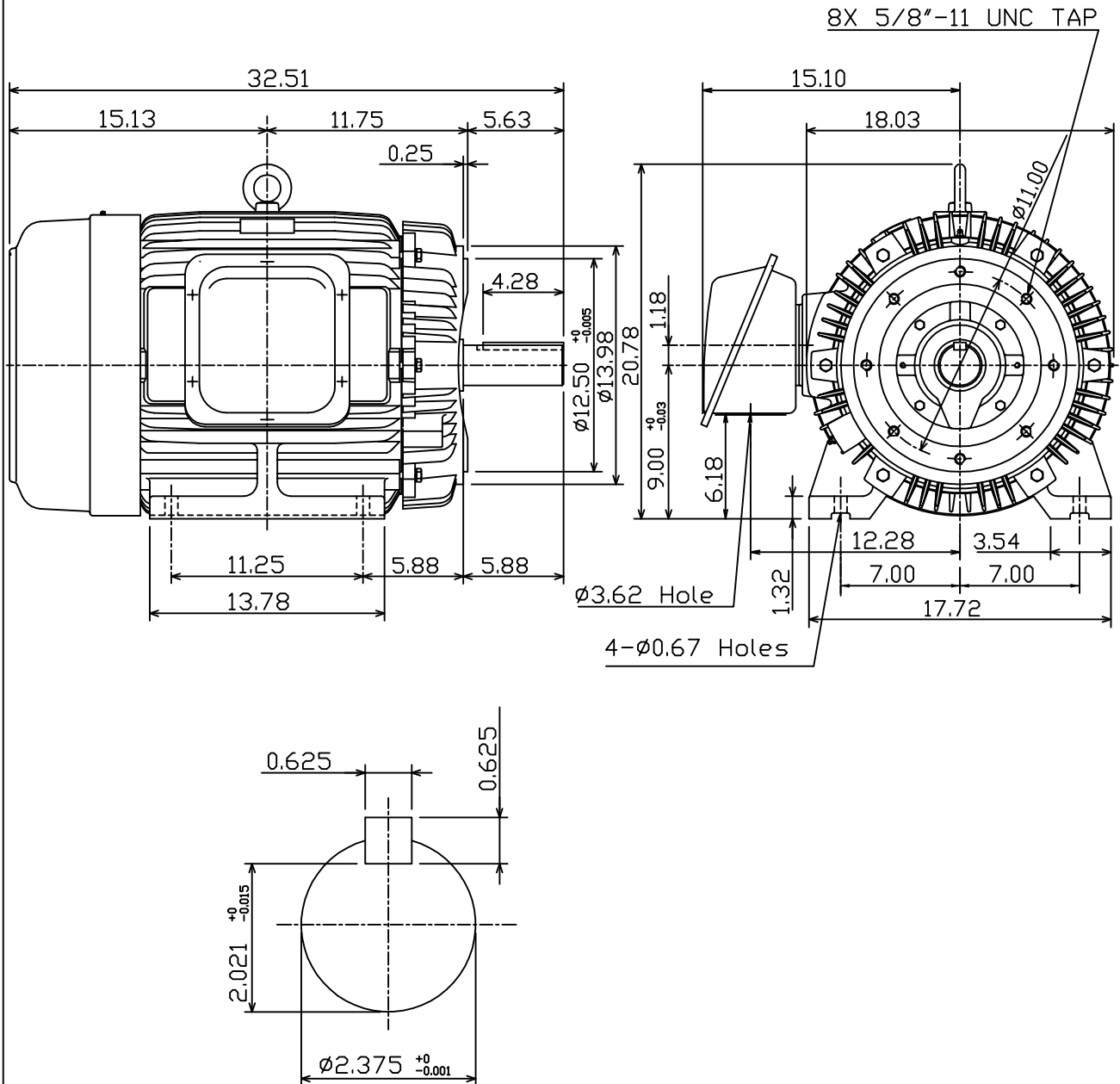
MOTOR TYPE:
AEHH8P-CF
FRAME NO. 364TC

CAT. #: NP0406C

| Pole | HP | kW | Hz | VOLT | Syn.Speed r/min(rpm) |
|------|----|------|----|---------|-------------------------|
| 6 | 40 | 29.8 | 60 | 230/460 | 1200 |

| Ins | Rating | Dimension in | Approx Weight | Bearings | |
|-----|--------|--------------|---------------|----------|-----------|
| F | CONT. | inch | 835 lbs. | DE: 6313 | NDE: 6213 |

Totally Enclosed Fan-Cooled Type, Squirrel-Cage Rotor.



| | | |
|-------|----------|-----------|
| DWN. | K.L.KUD | 04 -21 11 |
| CHKD. | K.L.KUD | 04 -21 11 |
| APPD. | M.C.TSAI | 04 -21 11 |

TECO Westinghouse

DWG NO.
31049M055170