

DATE  
JUNE 27, 2011

OUTLINE DIMENSIONS  
3-PHASE INDUCTION MOTOR

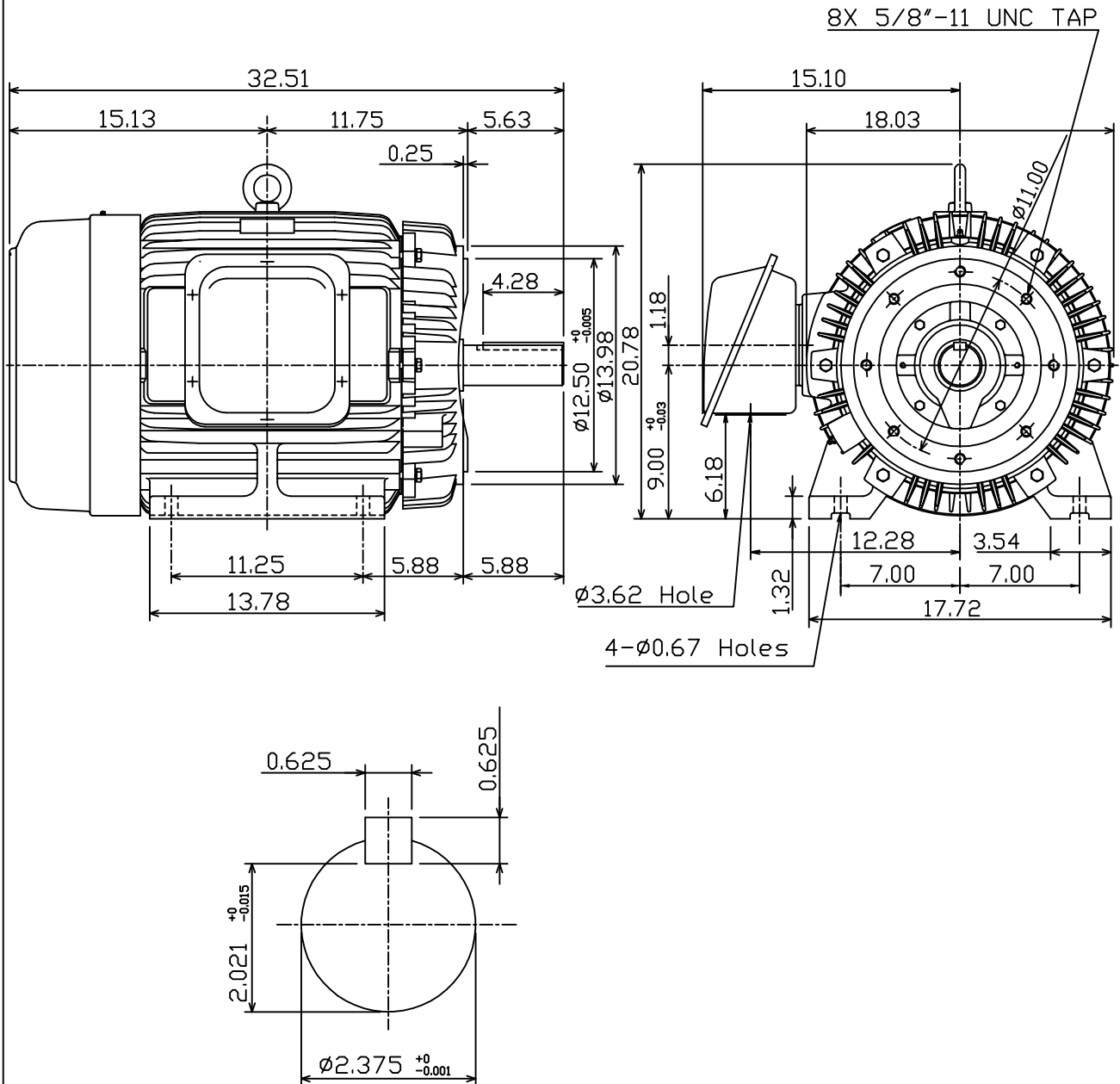
MOTOR TYPE:  
AEHH8P-CF  
FRAME NO. 364TC

CAT. #: NP0406C

Pole	HP	kW	Hz	VOLT	Syn.Speed r/min(rpm)
6	40	29.8	50	190/380	1000

Ins	Rating	Dimension in	Approx Weight	Bearings	
F	CONT.	inch	835 lbs.	DE: 6313	NDE: 6213

Totally Enclosed Fan-Cooled Type, Squirrel-Cage Rotor.



DWN.	K.L.KUD	04 -21 11
CHKD.	K.L.KUD	04 -21 11
APPD.	M.C.TSAI	04 -21 11

TECO Westinghouse

DWG NO.  
31049M055170