

DATE  
DEC. 13, 2010  
CAT. #: NP0254S

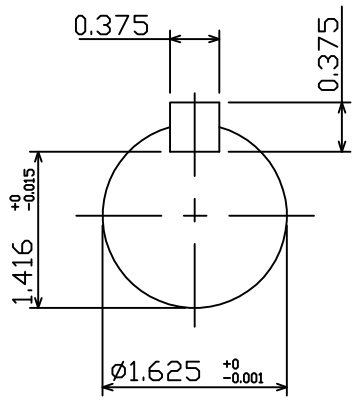
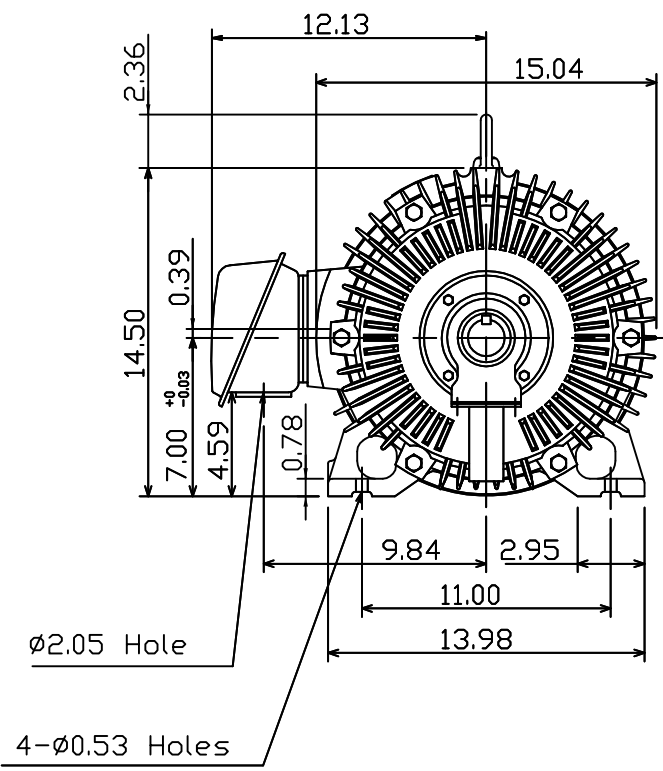
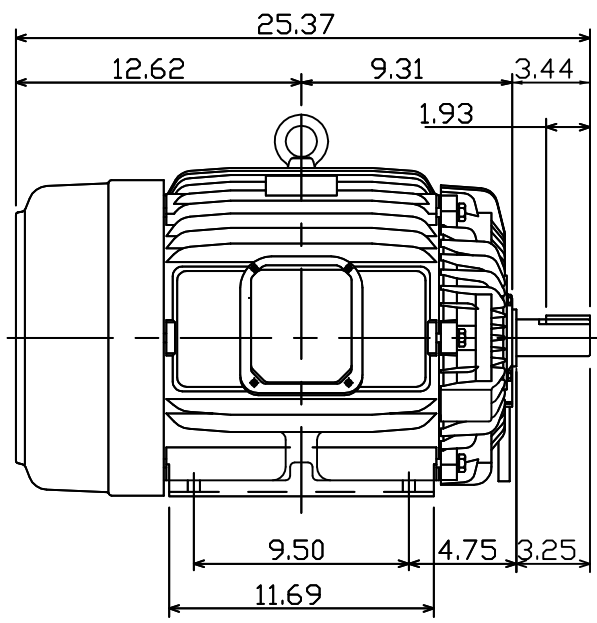
OUTLINE DIMENSIONS  
3-PHASE INDUCTION MOTOR

MOTOR TYPE:  
AEHH8P  
FRAME NO. 284TS

Pole	HP	kW	Hz	VOLT	Syn.Speed r/min(rpm)
4	25	18.7	60	230/460	1800

Ins	Rating	Dimension in	Approx Weight	Bearings
F	CONT.	inch	399 lbs.	DE: 6311ZZ NDE: 6310ZZ

Totally Enclosed Fan Cooled Type, Squirrel-cage Rotor.



12.06.10 郭耿良

DWN, J.H.LIANG 05 :20 99  
CHKD, C.H.KAD 06 :15 99  
APPD, Y.B.HUANG 06 :15 99



DWG NO.  
31049J350083