

DATE
JAN. 15, 2015

CAT. #: NP0254G

OUTLINE DIMENSIONS

3-PHASE INDUCTION MOTOR

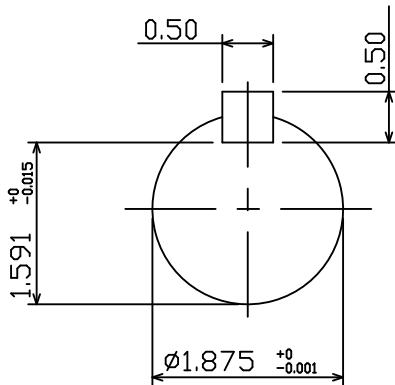
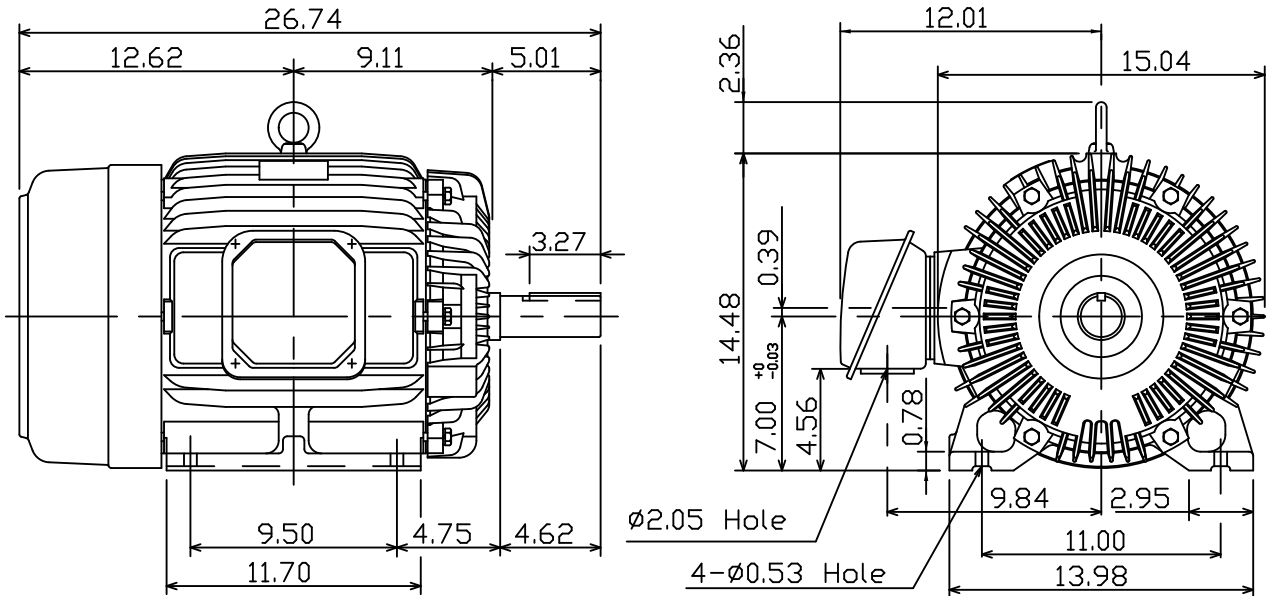
MOTOR TYPE:
AEHH8P-SGR

FRAME NO. 284T

Pole	HP	kW	Hz	VOLT	Syn.Speed r/min(rpm)
4	25	18.7	60	230/460	1800

Ins	Rating	Dimension in	Approx Weight	Bearings	
F	CONT.	inches	399 lbs.	DE: 6311ZZ	NDE: 6310ZZ

Totally Enclosed Fan-Cooled Type.Squirrel-Cage Rotor.



NOTE:
1. Shaft Grounding Ring installed-NDE

12.06.10

郭耿良

DWN.	J.H.LIANG	06-25-98
CHKD.	C.H.KAO	06-29-98
APPD.	Y.B.HUANG	06-29-98



DWG NO.
31057H206002