

DATE
JUNE 27, 2011

OUTLINE DIMENSIONS

3-PHASE INDUCTION MOTOR

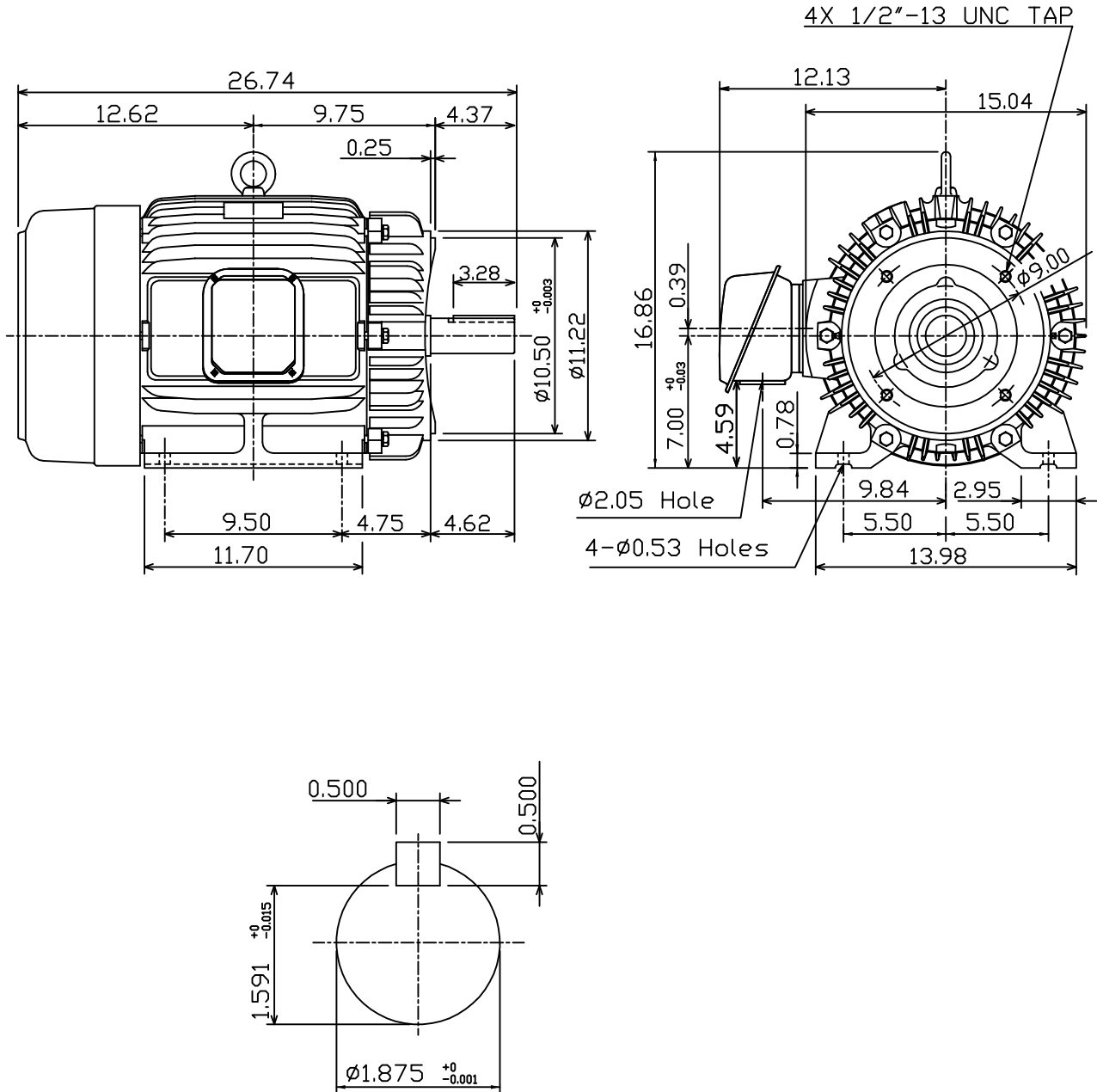
MOTOR TYPE:
AEHH8P-CF
FRAME NO. 284TC

CAT. #: NP0156C

Pole	HP	kW	Hz	VOLT	Syn.Speed r/min(rpm)
6	15	11.2	50	190/380	1000

Ins	Rating	Dimension in	Approx Weight	Bearings
F	CONT.	inches	428 lbs.	DE: 6311ZZ NDE: 6310ZZ

Totally Enclosed Fan-Cooled Type.Squirrel-Cage Rotor.



DWN,	K.L.KUD	04 -21 11
CHKD,	K.L.KUD	04 -21 11
APPD,	M.C.TSAI	04 -21 11

TECO Westinghouse

DWG NO.
31049J351140