

DATE  
APRIL 26, 2011

# OUTLINE DIMENSIONS

## 3-PHASE INDUCTION MOTOR

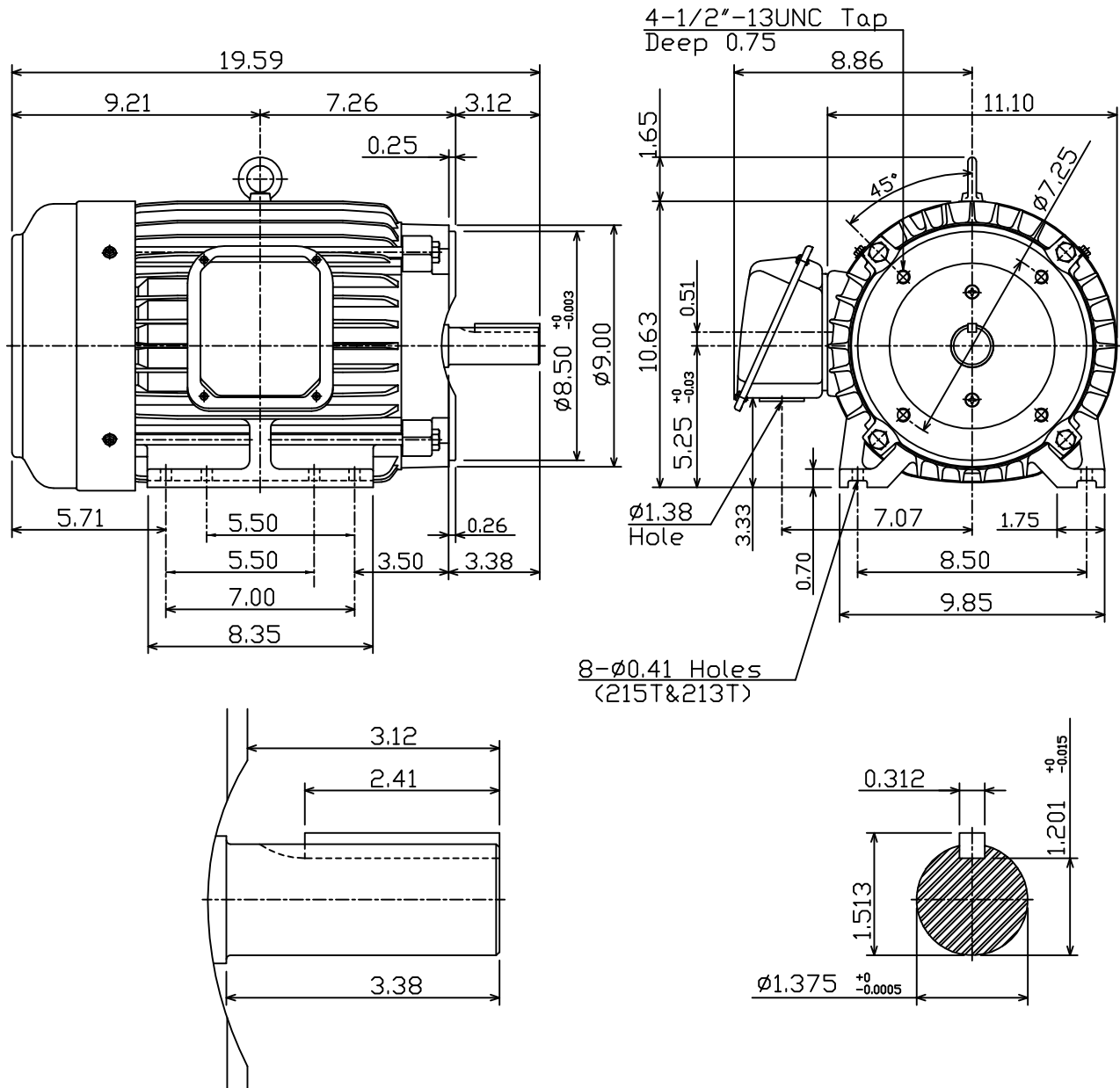
MOTOR TYPE:  
AEHH8P-CF  
FRAME NO. 215TC

CAT. #: NP0104C

Pole	HP	kW	Hz	VOLT	Syn.Speed r/min(rpm)
4	10	7.5	50	190/380	1500

Ins	Rating	Dimension in	Approx Weight	Bearings
F	CONT.	inches	189 lbs.	DE: 6308ZZ NDE: 6306ZZ

Totally Enclosed Fan-Cooled Type, Squirrel-Cage Rotor.



DWN.	C.S.LO	12-21-04
CHKD.	C.S.LO	12-27-04
APPD.	M.C.TSAI	12-27-04

TECO Westinghouse

DWG NO.  
31049D192940