

DATE  
NOV. 23, 2010

# OUTLINE DIMENSIONS

## 3-PHASE INDUCTION MOTOR

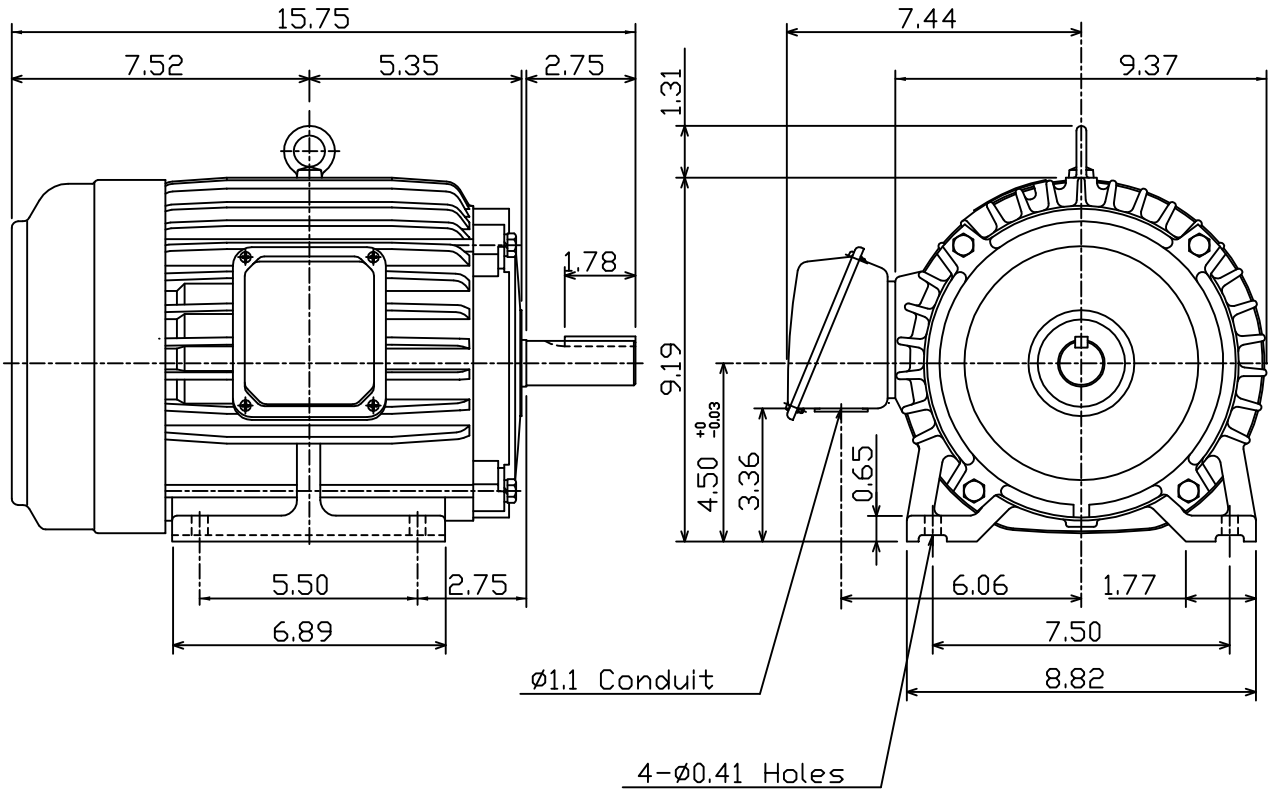
MOTOR TYPE:  
AEHH8P  
FRAME NO. 184T

CAT. #: NP0026

Pole	HP	kW	Hz	VOLT	Syn.Speed r/min(rpm)
6	2	1.49	50	190/380	1000

Ins	Rating	Dimension in	Approx Weight	Bearings
F	CONT.	inch	95 lbs.	DE: 6306ZZ NDE: 6306ZZ

Totally Enclosed Fan Cooled Squirrel Cage Rotor.



DWN.	J.H.LIANG	05-20-99
CHKD.	C.S.LO	05-26-99
APPD.	Y.B.HUANG	05-26-99

**TECO**   **Westinghouse**

DWG NO.  
31049D190560