

DATE  
NOV. 23, 2010  
CAT. #: NP0024

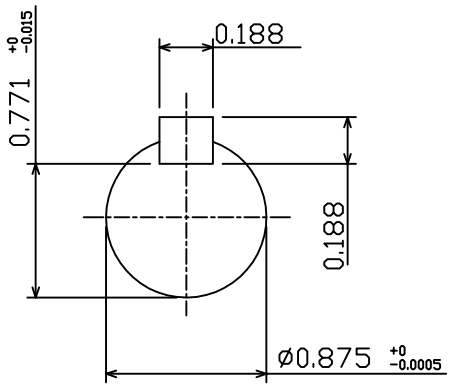
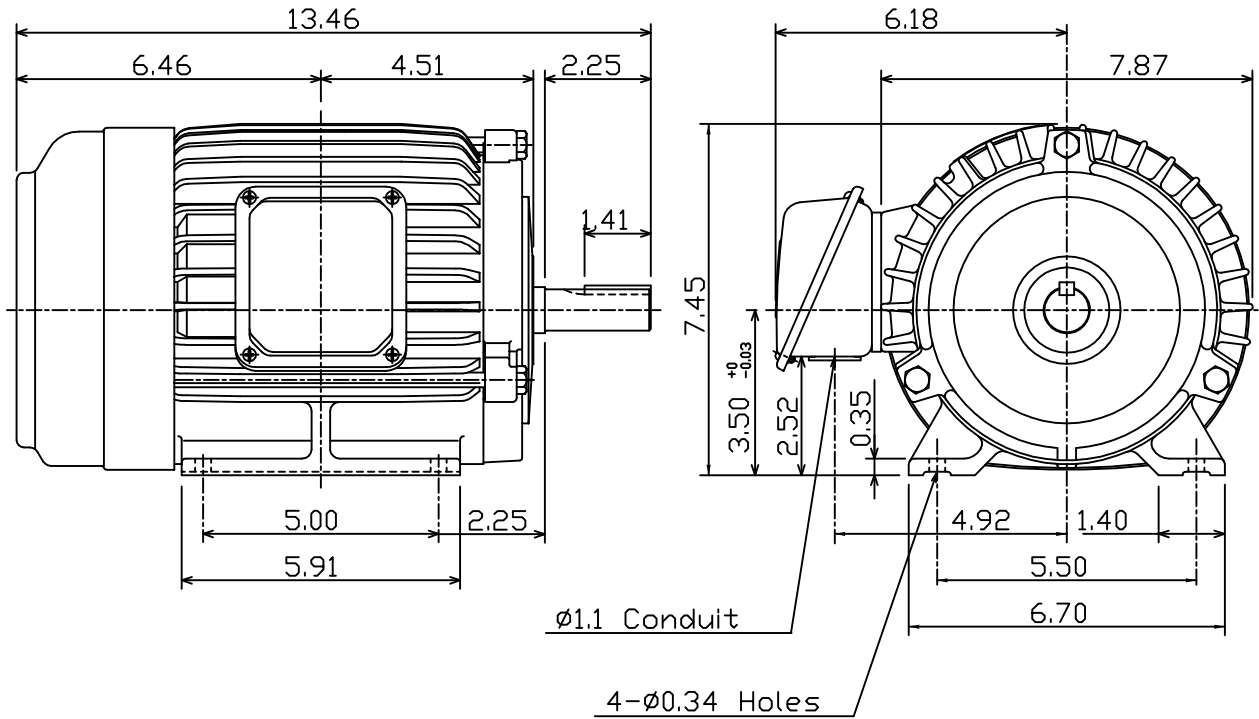
OUTLINE DIMENSIONS  
3-PHASE INDUCTION MOTOR

MOTOR TYPE:  
AEHH8P  
FRAME NO. 145T

| Pole | HP | kW   | Hz | VOLT    | Syn.Speed<br>r/min(rpm) |
|------|----|------|----|---------|-------------------------|
| 4    | 2  | 1.49 | 50 | 190/380 | 1500                    |

| Ins | Rating | Dimension in | Approx Weight | Bearings               |
|-----|--------|--------------|---------------|------------------------|
| F   | CONT.  | inch         | 53 lbs.       | DE: 6205ZZ NDE: 6205ZZ |

Totally Enclosed Fan-Cooled Type. Squirrel-Cage Rotor.



|       |           |          |
|-------|-----------|----------|
| DWN.  | J.H.LIANG | 05-20-99 |
| CHKD. | C.S.LO    | 05-26-99 |
| APPD. | Y.B.HUANG | 05-26-99 |



DWG NO.  
31049D188170