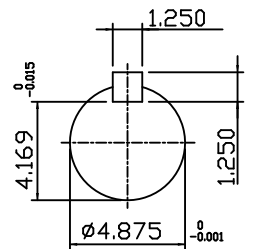
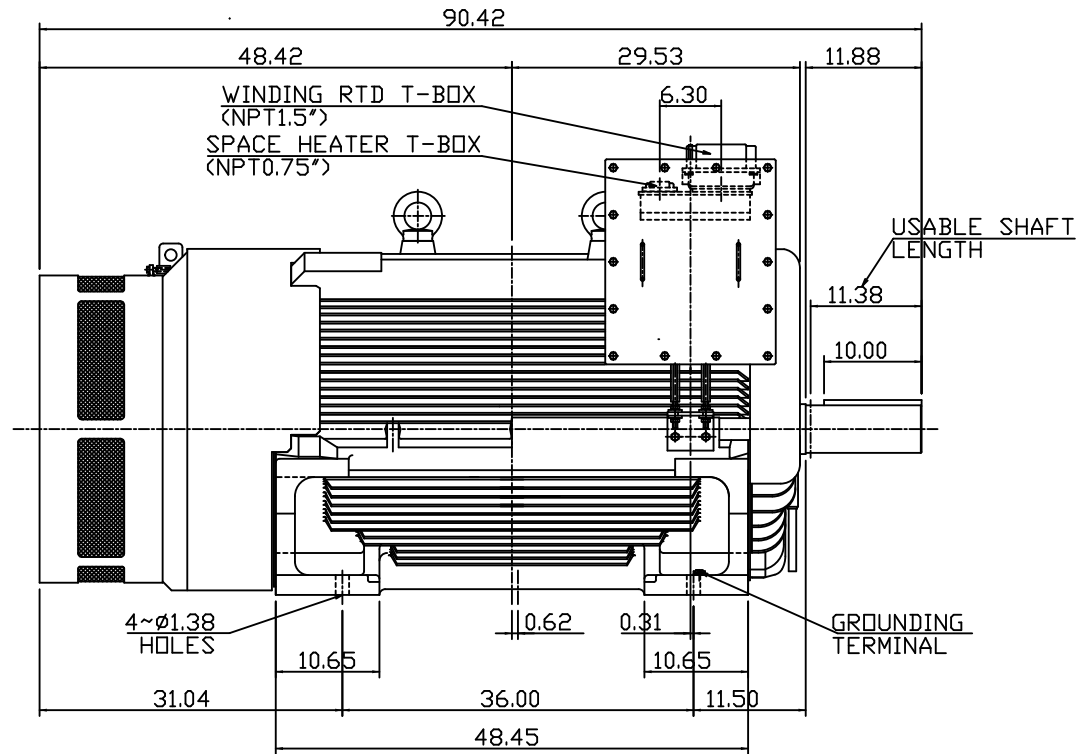
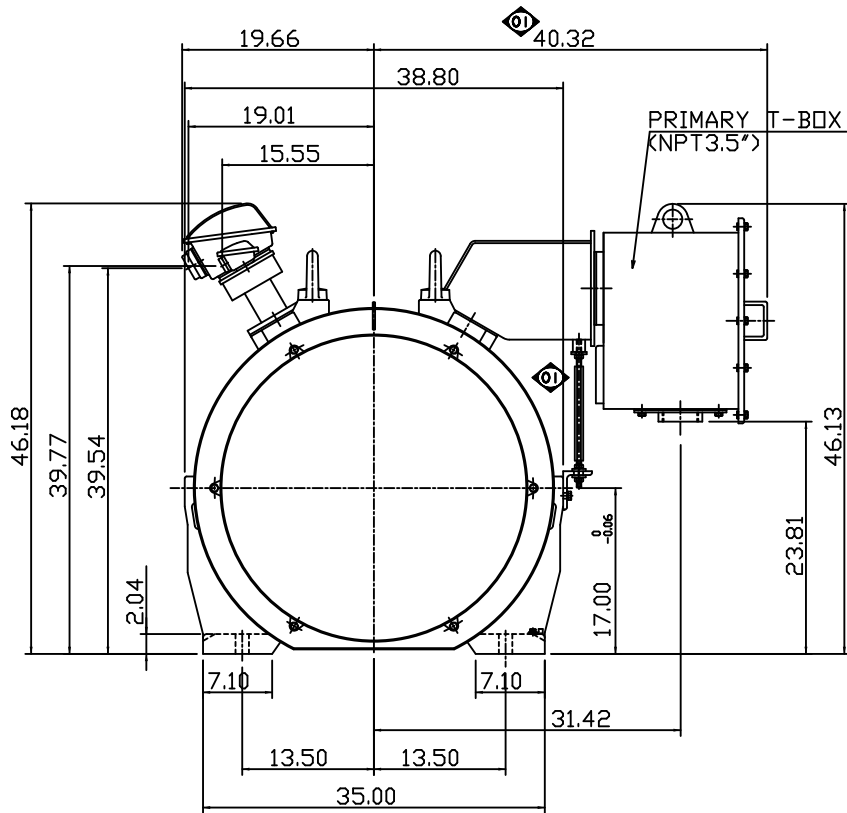


TYPE	OUTPUT		POLE	TIME RATING	VOLTAGE V	Hz	SYN.SPEED R.P.M
	HP.	kW.					
AEHGTK	900	671	4	CONT.	2300/4160	60	1800

TOTALLY ENCLOSED FAN-COOLED TYPE, SQUIRREL-CAGE ROTOR



SHAFT END
(ENLARGED VIEW)

- NOTE:
- DIMENSIONS IN INCH
 - FRAME NO. 6808B
 - F CLASS INSULATION, S.F.1.15
 - FOR DIRECT FLEXIBLE COUPLING
 - ENCLOSURE: IP54
 - BEARING SIZE: DRIVE-END 6326
OPP. DRIVE-END 6322
 - SPACE HEATERS OPERATED AT 220V, 400W
 - WINDING RTD 100 OHM PLATINUM
 - MOTOR APPROX. WEIGHT: 8500LBS

DATE	OCT. 28, 2014	OUTLINE DIMENSIONS
CATALOG #	KG9004	
DWN.	Y.DU	AUG-29-2011
CHKD.	H.HUANG	AUG-29-2011
APPD.	B.LIN	AUG-29-2011
TEC Westinghouse		DWG NO. REV: 01 4A040G955