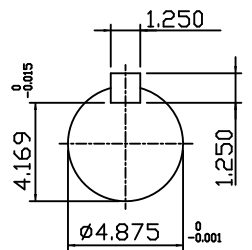
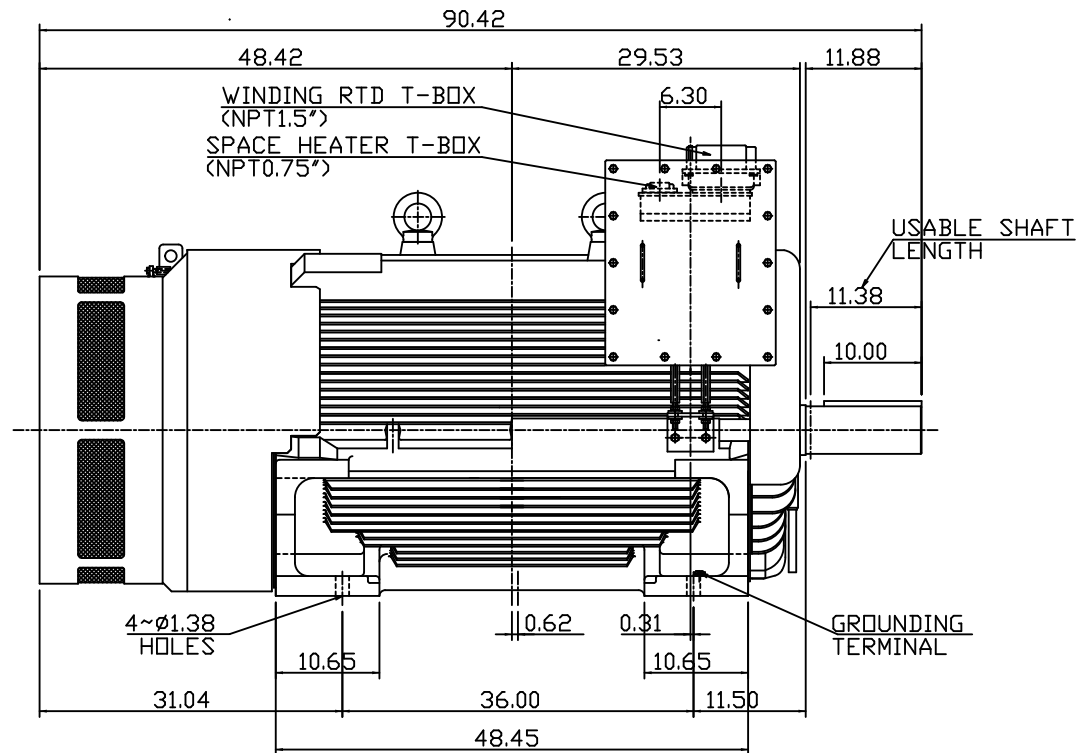
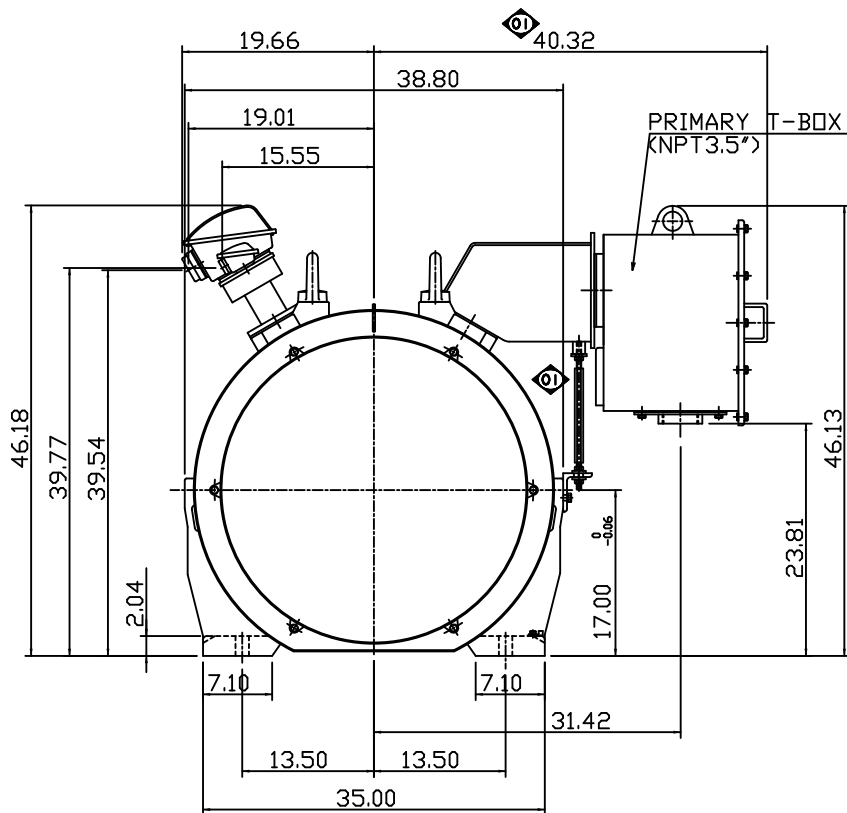


TYPE	OUTPUT		POLE	TIME RATING	VOLTAGE V	Hz	SYN.SPEED R.P.M
	HP.	kW.					
AEHGTK	800	597	4	CONT.	2300/4160	60	1800

TOTALLY ENCLOSED FAN-COOLED TYPE, SQUIRREL-CAGE ROTOR



- NOTE:
1. DIMENSIONS IN INCH
  2. FRAME NO. 6808B
  3. F CLASS INSULATION, S.F.1.15
  4. FOR DIRECT FLEXIBLE COUPLING
  5. ENCLOSURE: IP54
  6. BEARING SIZE: DRIVE-END 6326  
OPP. DRIVE-END 6322
  7. WITH SPACE HEATER & WINDING RTD
  8. MOTOR APPROX. WEIGHT: 8500LBS

SHAFT END  
(ENLARGED VIEW)

DATE	OCT. 29, 2014	OUTLINE DIMENSIONS	
CATALOG #	KG8004	3-PHASE INDUCTION MOTOR	
DWN.	Y.DU	AUG-29-2011	TEC Westinghouse
CHKD.	H.HUANG	AUG-29-2011	
APPD.	B.LIN	AUG-29-2011	
DWG NO.		REV: 01	4A040G955