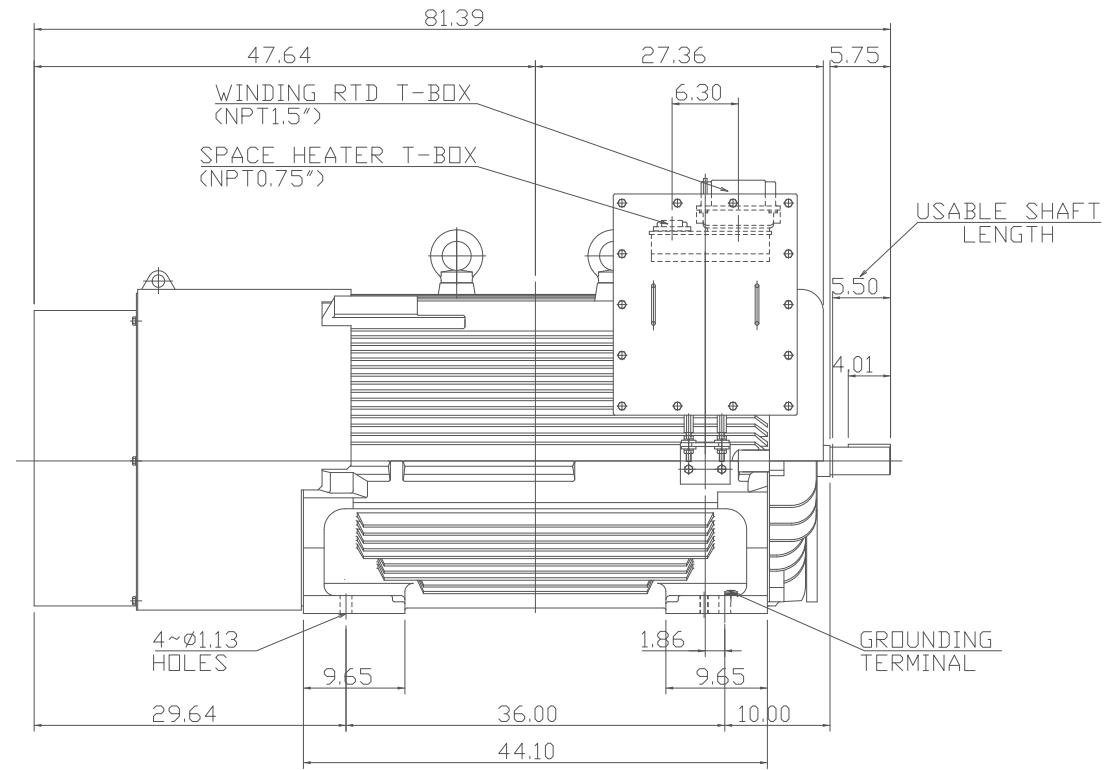
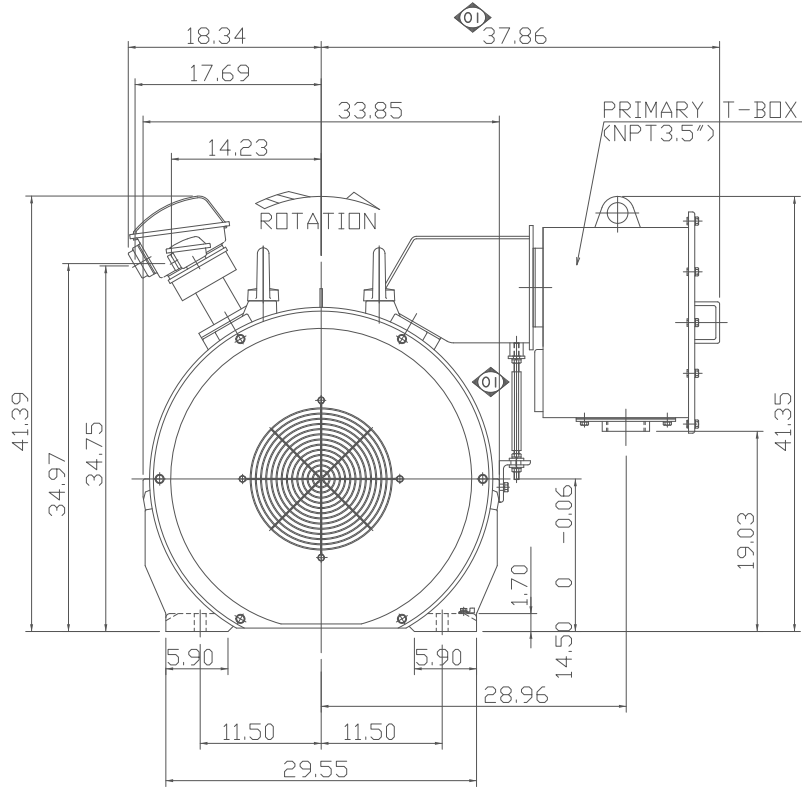


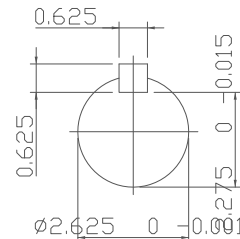
TYPE	OUTPUT		POLE	TIME RATING	VOLTAGE V	Hz	SYN.SPEED R.P.M
	HP.	kW.					
AEHGK	700	522	2	CONT.	2300/4160	60	3600

TOTALLY ENCLOSED FAN-COOLED TYPE, SQUIRREL-CAGE ROTOR



NOTE:

1. DIMENSIONS IN INCH
2. FRAME NO. 5810A
3. F CLASS INSULATION, S.F.1.15
4. FOR DIRECT FLEXIBLE COUPLING
5. ENCLOSURE: IP54
6. BEARING SIZE: DRIVE-END 6315C3  
OPP. DRIVE-END 6315-INS
7. WITH SPACE HEATER & WINDING RTD
8. MOTOR APPROX. WEIGHT: 6600LBS



SHAFT END  
(ENLARGED VIEW)

DATE		OCT. 29, 2014		OUTLINE DIMENSIONS	
CATALOG #		KG7002		3-PHASE INDUCTION MOTOR	
DWN.	Y.DU	AUG. 30. 2011	TEC Westinghouse		
CHKD.	H.HUANG	AUG. 30. 2011			
APPD.	B.LIN	AUG. 30. 2011			
			DWG NO.	REV: 01	
			4A040G951		