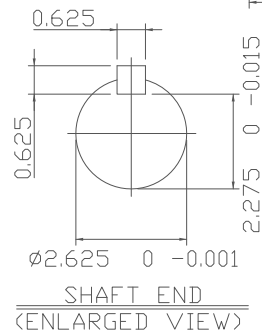
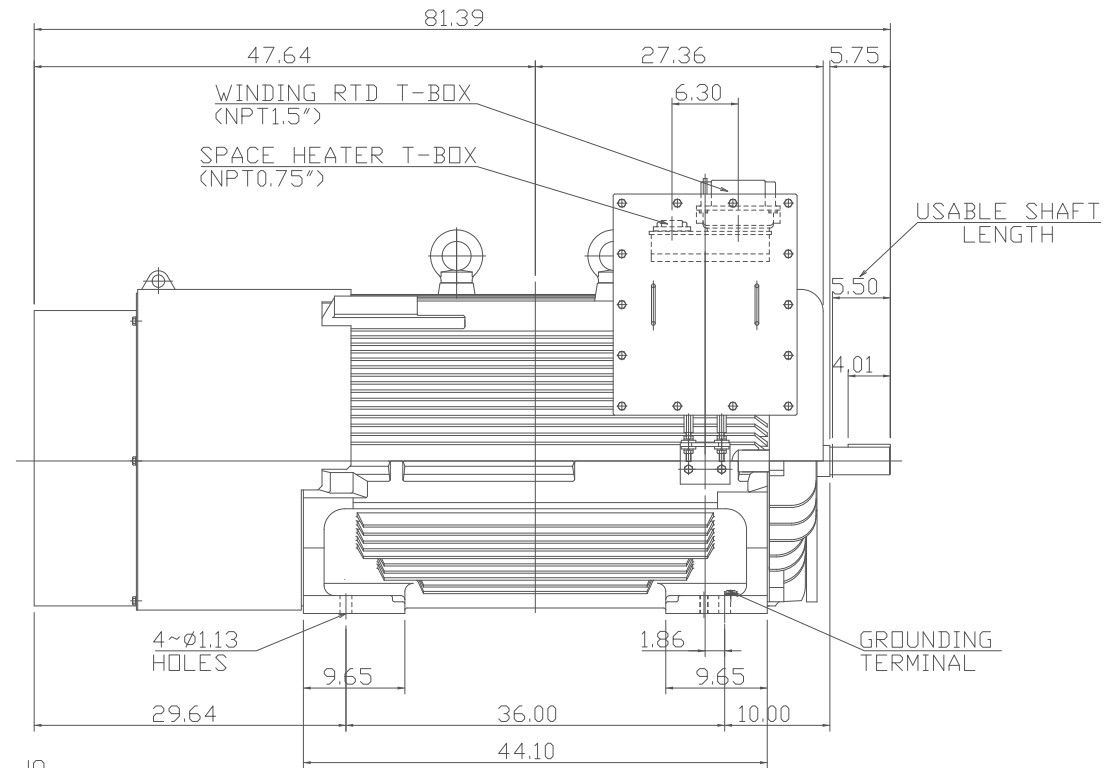
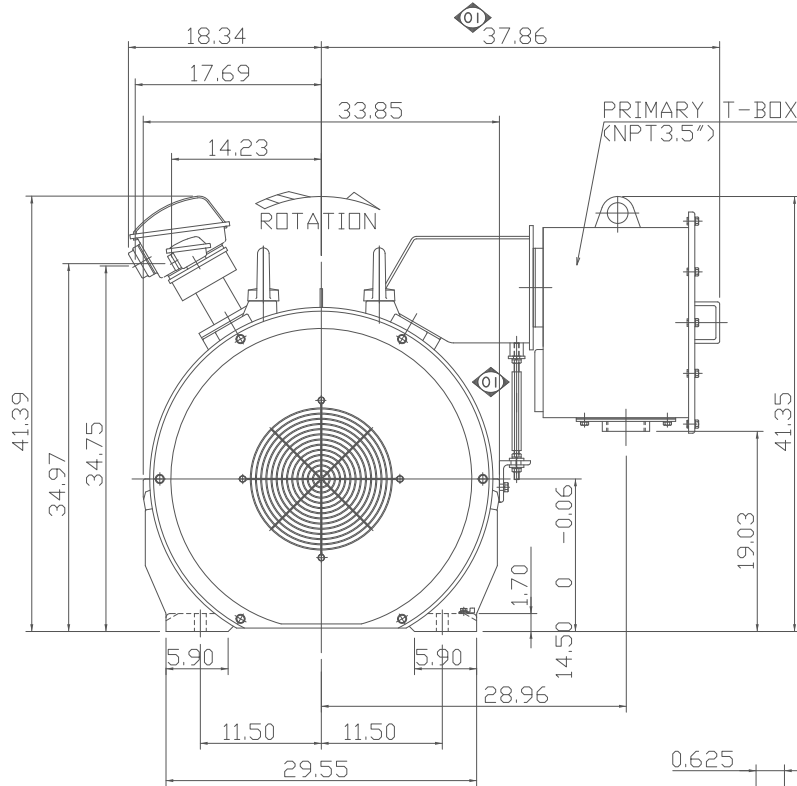


TYPE	OUTPUT		POLE	TIME RATING	VOLTAGE V	Hz	SYN.SPEED R.P.M
	HP.	kW.					
AEHGK	600	448	2	CONT.	2300/4160	60	3600

TOTALLY ENCLOSED FAN-COOLED TYPE, SQUIRREL-CAGE ROTOR



NOTE:

1. DIMENSIONS IN INCH
2. FRAME NO. 5810A
3. F CLASS INSULATION, S.F.1.15
4. FOR DIRECT FLEXIBLE COUPLING
5. ENCLOSURE: IP54
6. BEARING SIZE: DRIVE-END 6315C3
OPP. DRIVE-END 6315-INS
7. WITH SPACE HEATER & WINDING RTD
8. MOTOR APPROX. WEIGHT: 6600LBS

DATE		OCT. 31 2014		OUTLINE DIMENSIONS	
CATALOG #		KG6002		3-PHASE INDUCTION MOTOR	
DWN.		Y.DU		AUG. 30. 2011	
CHKD.		H.HUANG		AUG. 30. 2011	
APPD.		B.LIN		AUG. 30. 2011	
TEC Westinghouse				DWG NO. REV: 01	
				4A040G951	