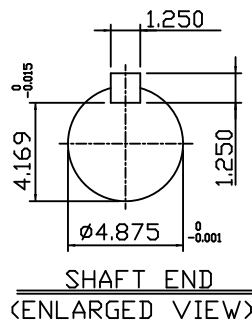
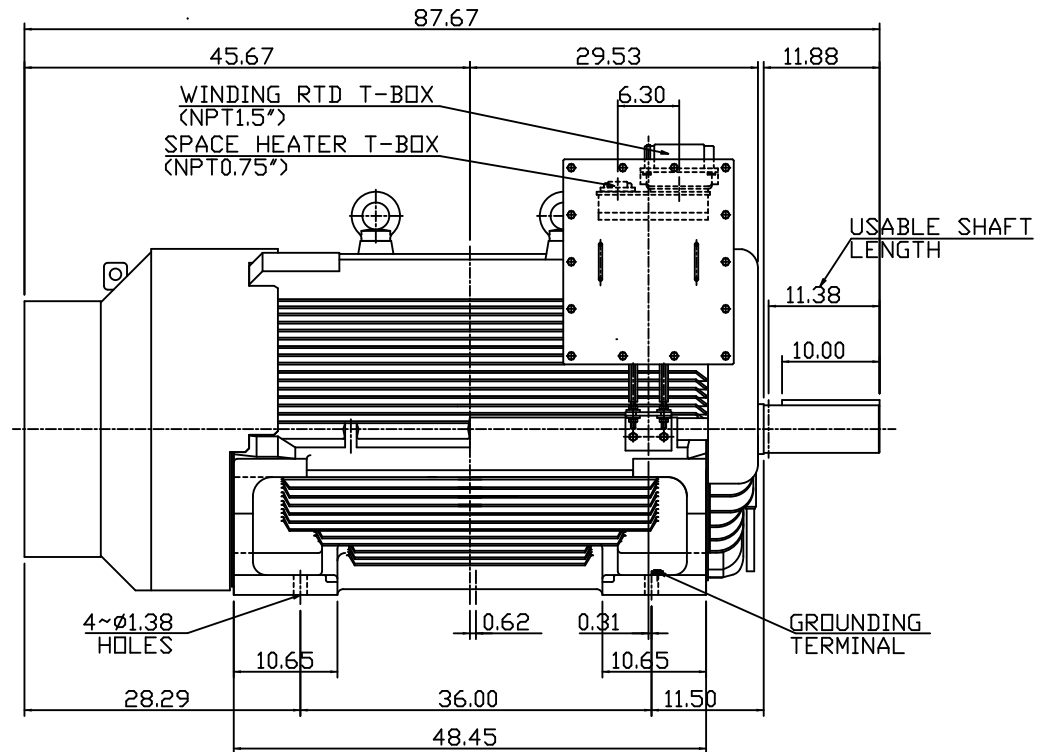
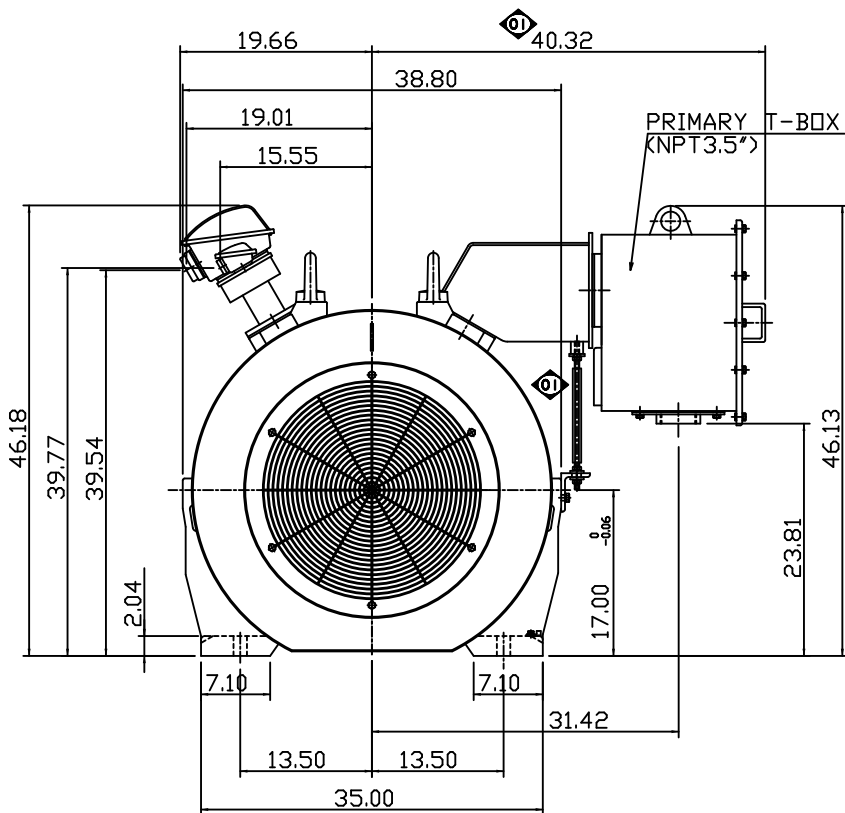


TYPE	OUTPUT		POLE	TIME RATING	VOLTAGE V	Hz	SYN.SPEED R.P.M
	HP.	kW.					
AEHGTK	500	373	8	CONT.	2300/4160	60	900

TOTALLY ENCLOSED FAN-COOLED TYPE, SQUIRREL-CAGE ROTOR



- NOTE:
1. DIMENSIONS IN INCH
  2. FRAME NO. 6808C
  3. F CLASS INSULATION, S.F.1.15
  4. FOR DIRECT FLEXIBLE COUPLING
  5. ENCLOSURE: IP54
  6. BEARING SIZE: DRIVE-END NU326  
OPP. DRIVE-END 6322
  7. WITH SPACE HEATER & WINDING RTD
  8. MOTOR APPROX. WEIGHT: 8650LBS

DATE	OCT. 31, 2014	OUTLINE DIMENSIONS
CATALOG #	KG5008R	3-PHASE INDUCTION MOTOR
DWN.	Y.DU	AUG-29-2011
CHKD.	H.HUANG	AUG-29-2011
APPD.	B.LIN	AUG-29-2011
TEC Westinghouse		DWG NO. REV: 01
		4A040G956