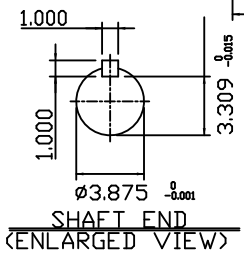
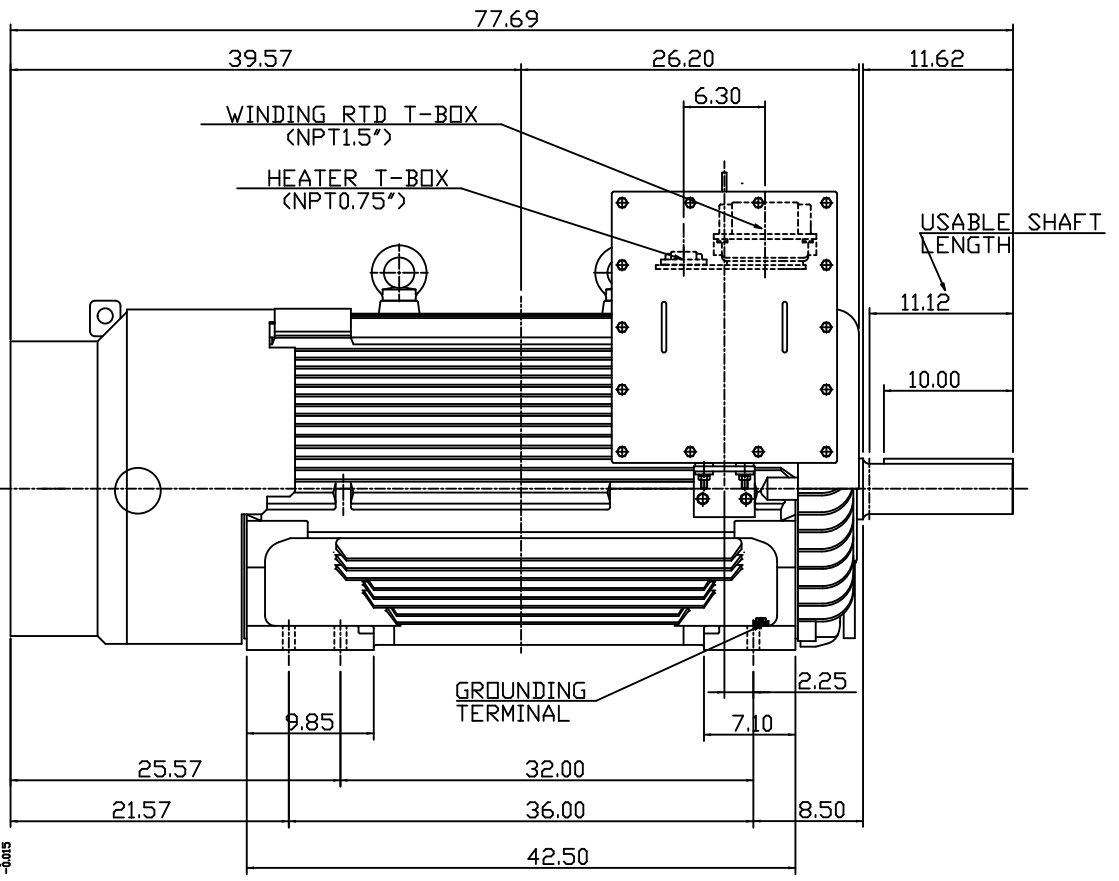
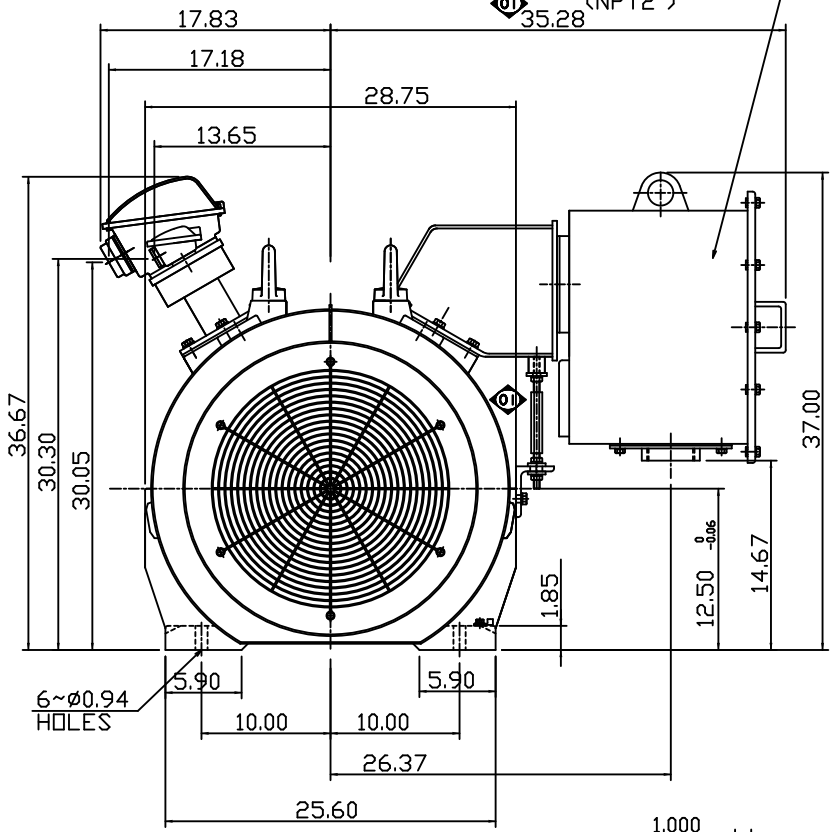


TYPE	OUTPUT		POLE	TIME RATING	VOLTAGE V	Hz	SYN.SPEED R.P.M
	HP.	kW.					
AEHGTK	400	298	6	CONT.	2300/4160	60	1200

TOTALLY ENCLOSED FAN-COOLED TYPE, SQUIRREL-CAGE ROTOR

PRIMARY T-BOX (NPT2")



- NOTE:
1. DIMENSIONS IN INCH
 2. FRAME NO. 5011C(5010C)
 3. F CLASS INSULATION, S.F.1.15
 4. FOR BELT DRIVE APPLICATIONS
 5. ENCLOSURE: IP54
 6. WITH SPACE HEATER & WINDING RTD
 7. BEARING SIZE: DRIVE-END NU324
OPP. DRIVE-END 6320
 8. MOTOR APPROX. WEIGHT: 4750LBS

DATE	OCT. 31, 2014	OUTLINE DIMENSIONS
CATALOG #	KG4006R	3-PHASE INDUCTION MOTOR
		DWG NO. REV: 01
		4A040G947

DWN.	F.FAN	AUG-31-2011
CHKD.	H.HUANG	AUG-31-2011
APPD.	B.LIN	AUG-31-2011