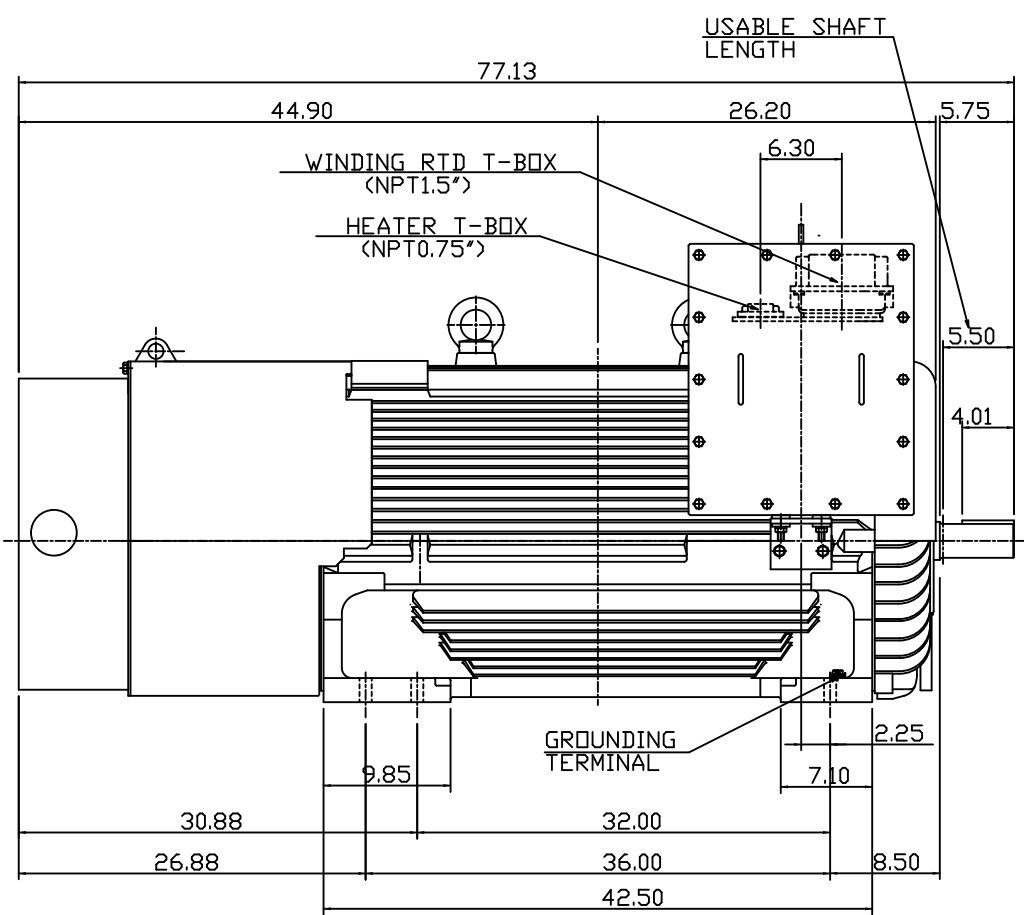
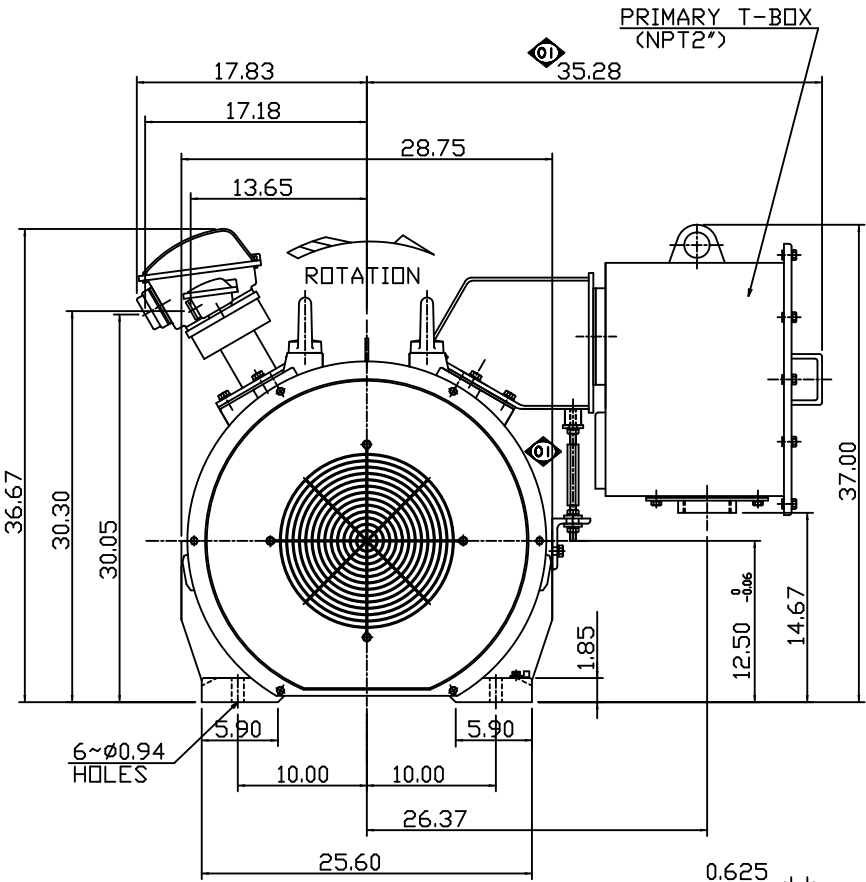


TYPE	OUTPUT		POLE	TIME RATING	VOLTAGE V	Hz	SYN.SPEED R.P.M
	HP.	kW.					
AEHGK	400	298	2	CONT.	2300/4160	60	3600

TOTALLY ENCLOSED FAN-COOLED TYPE, SQUIRREL-CAGE ROTOR



- NOTE:
1. DIMENSIONS IN INCH
  2. FRAME NO. 5011A(5010A)
  3. F CLASS INSULATION, S.F.1.15
  4. FOR DIRECT FLEXIBLE COUPLING
  5. ENCLOSURE: IP54
  6. WITH SPACE HEATER & WINDING RTD
  7. BEARING SIZE: DRIVE-END 6315C3  
OPP. DRIVE-END 6315C3
  8. MOTOR APPROX. WEIGHT: 5050LBS

DWN.	F.FAN	AUG-31-2011
CHKD.	H.HUANG	AUG-31-2011
APPD.	B.LIN	AUG-31-2011

DATE	OCT. 31, 2014	OUTLINE DIMENSIONS
CATALOG #	KG4002	3-PHASE INDUCTION MOTOR
TECO Westinghouse		DWG NO. REV: 01
		4A040G945