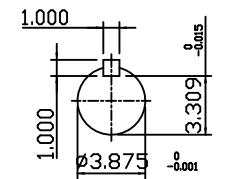
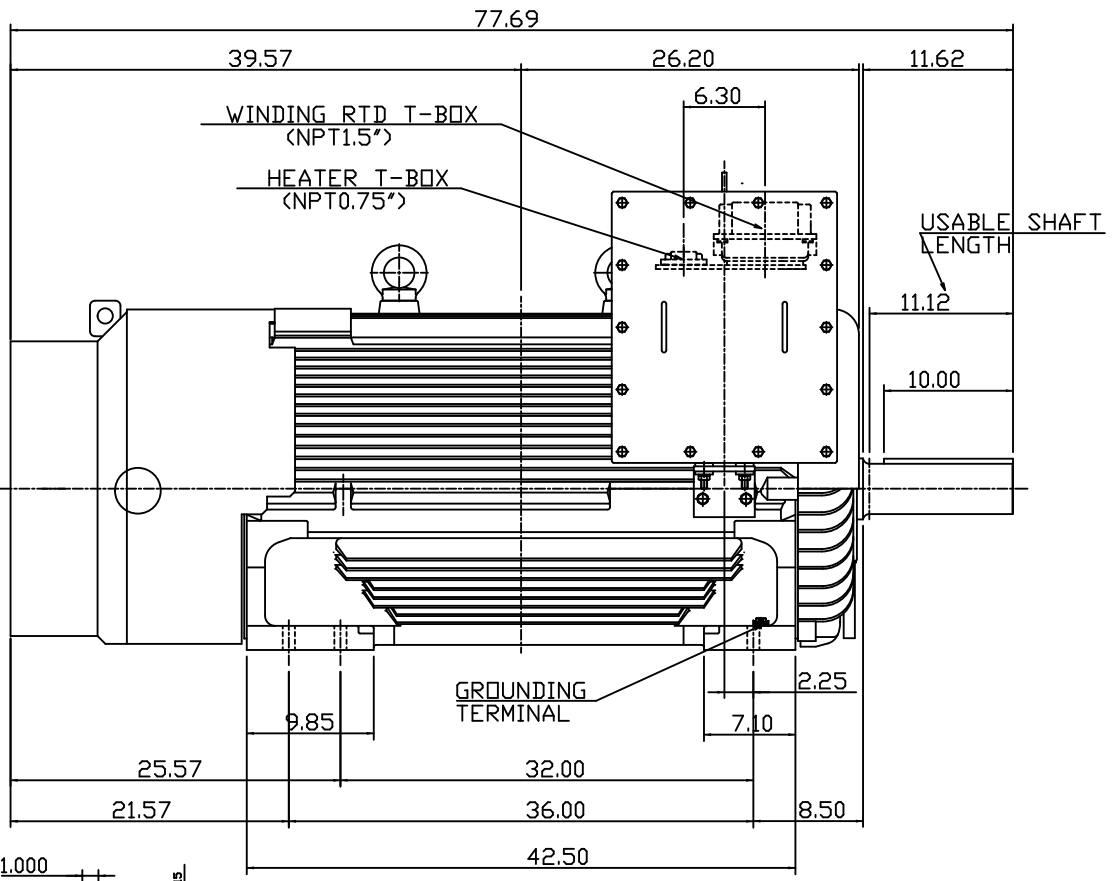
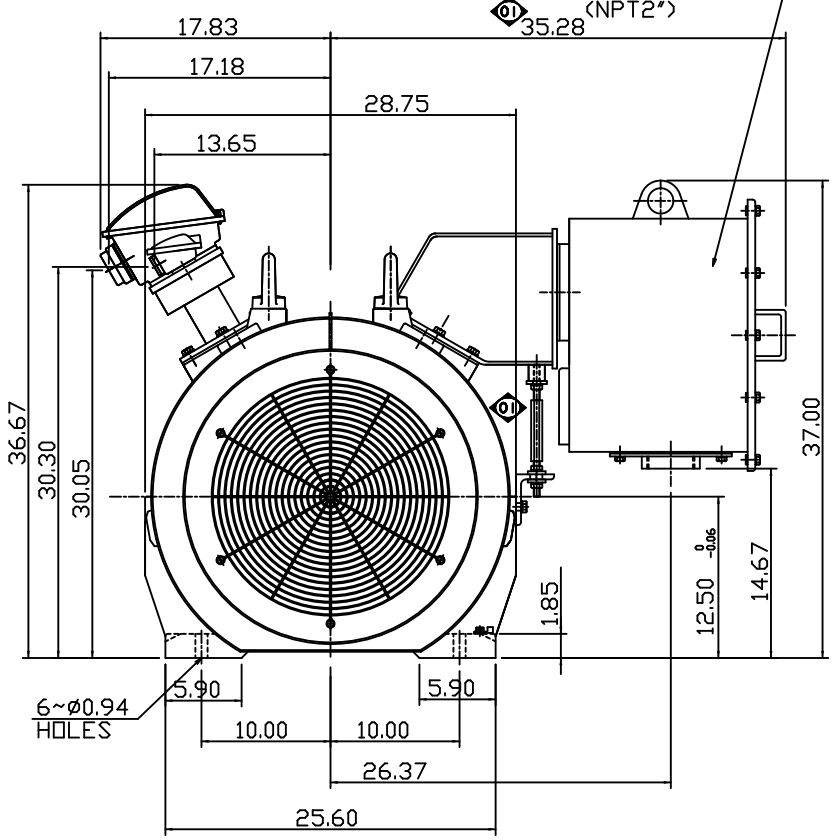


TYPE	OUTPUT		POLE	TIME RATING	VOLTAGE V	Hz	SYN.SPEED R.P.M
	HP.	kW.					
AEHGTK	350	261	6	CONT.	2300/4160	60	1200

TOTALLY ENCLOSED FAN-COOLED TYPE, SQUIRREL-CAGE ROTOR

PRIMARY T-BOX (NPT2")



SHAFT END (ENLARGED VIEW)

NOTE:

1. DIMENSIONS IN INCH
2. FRAME NO. 5011C(5010C)
3. F CLASS INSULATION, S.F.1.15
4. FOR BELT DRIVE APPLICATIONS
5. ENCLOSURE: IP54
6. WITH SPACE HEATER & WINDING RTD
7. BEARING SIZE: DRIVE-END NU324  
OPP. DRIVE-END 6320
8. MOTOR APPROX. WEIGHT: 4750LBS

DATE	OCT. 31, 2014	OUTLINE DIMENSIONS
CATALOG #	KG3506R	3-PHASE INDUCTION MOTOR
DWN.	F.FAN	AUG-31-2011
CHKD.	H.HUANG	AUG-31-2011
APPD.	B.LIN	AUG-31-2011
TECO Westinghouse		DWG NO. REV: 01
		4A040G947