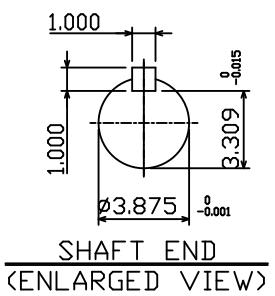
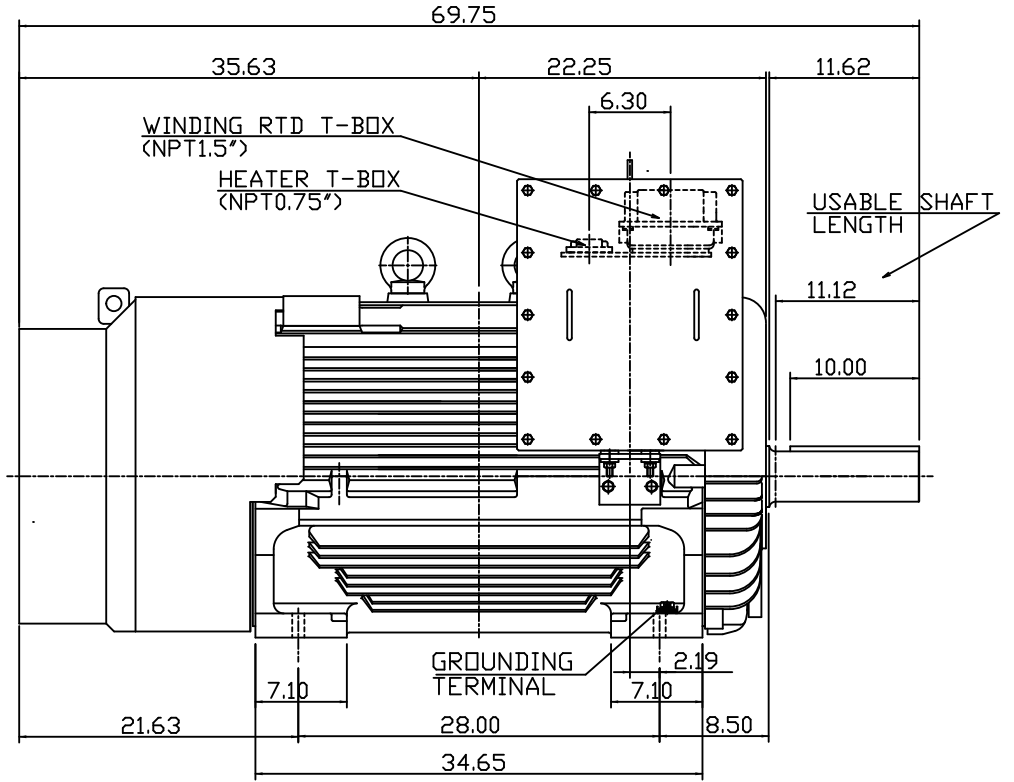
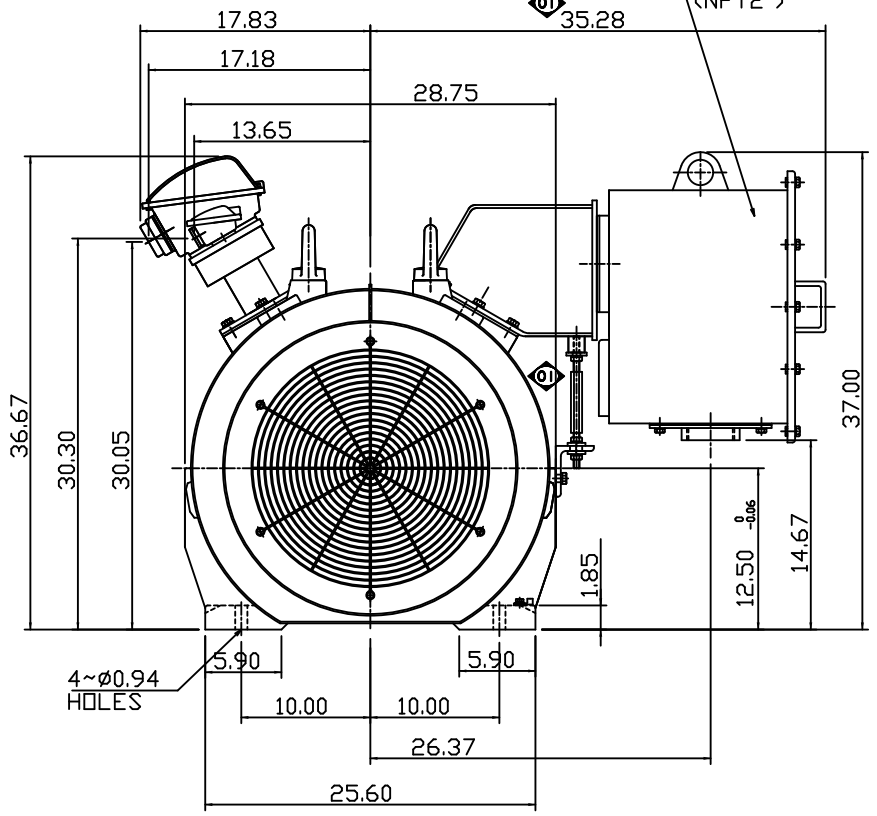


TYPE	OUTPUT		POLE	TIME RATING	VOLTAGE V	Hz	SYN.SPEED R.P.M
	HP.	kW.					
AEHGK	300	224	6	CONT.	2300/4160	60	1200

TOTALLY ENCLOSED FAN-COOLED TYPE, SQUIRREL-CAGE ROTOR

PRIMARY T-BOX
(NPT2")



- NOTE:
1. DIMENSIONS IN INCH
 2. FRAME NO. 5009C
 3. F CLASS INSULATION, S.F.1.15
 4. FOR BELT DRIVE APPLICATIONS
 5. ENCLOSURE: IP54
 6. WITH SPACE HEATER & WINDING RTD
 7. BEARING SIZE: DRIVE-END NU324C3
OPP. DRIVE-END 6320C3
 8. MOTOR APPROX. WEIGHT: 4350LBS

DATE September 3, 2014	OUTLINE DIMENSIONS
Catalog # KG3006R	3-PHASE INDUCTION MOTOR
TEC Westinghouse	
DWG NO. 4A040G944	REV: 01

DWN.	F.FAN	AUG-31-2011
CHKD.	H.HUANG	AUG-31-2011
APPD.	B.LIN	AUG-31-2011