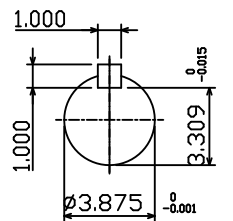
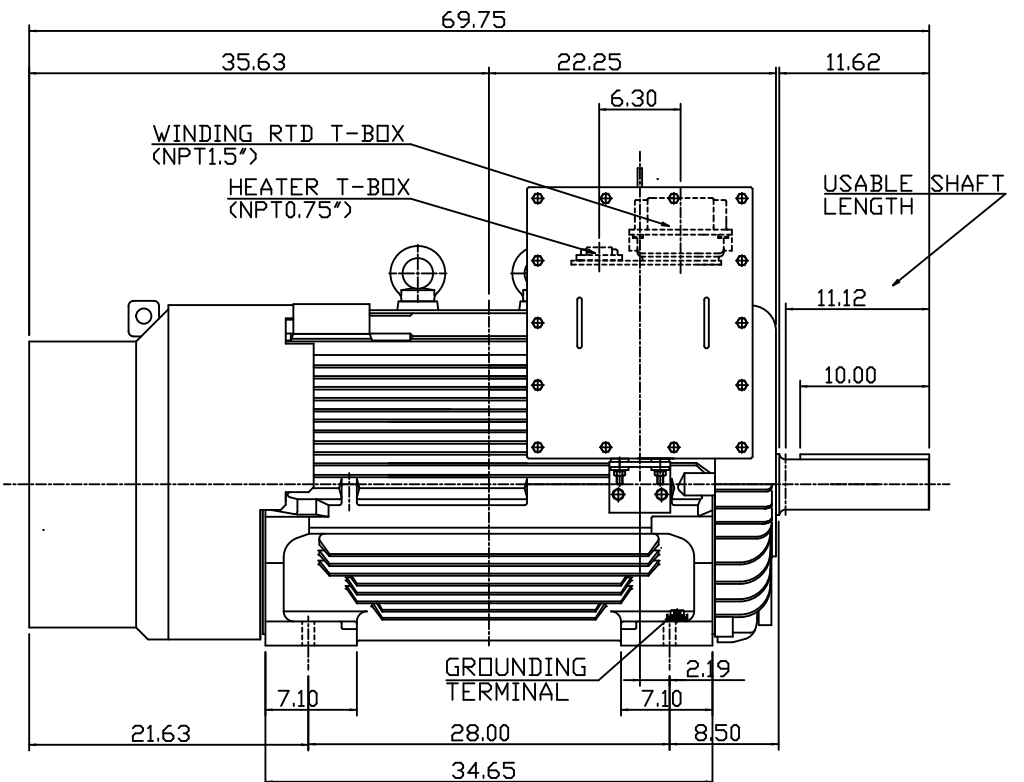
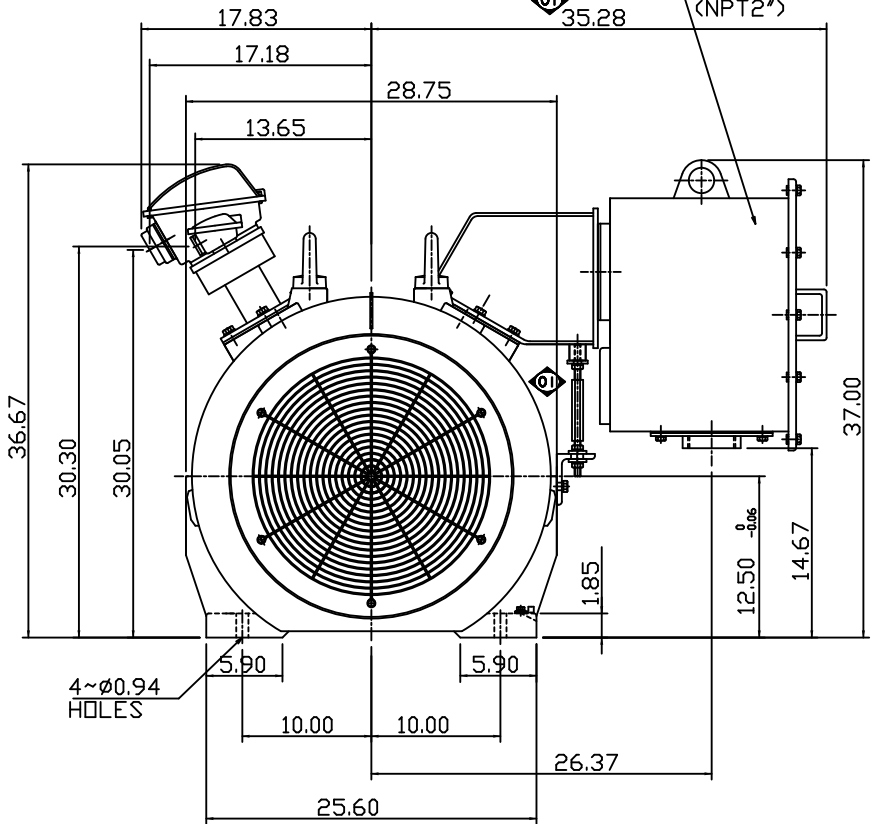


TYPE	OUTPUT		POLE	TIME RATING	VOLTAGE V	Hz	SYN.SPEED R.P.M
	HP.	kW.					
AEHGK	300	224	4	CONT.	2300/4160	60	1800

TOTALLY ENCLOSED FAN-COOLED TYPE, SQUIRREL-CAGE ROTOR

PRIMARY T-BOX
(NPT2")



SHAFT END
(ENLARGED VIEW)

- NOTE:
1. DIMENSIONS IN INCH
 2. FRAME NO. 5009B
 3. F CLASS INSULATION, S.F.1.15
 4. FOR DIRECT FLEXIBLE COUPLING
 5. ENCLOSURE: IP54
 6. WITH SPACE HEATER & WINDING RTD
 7. BEARING SIZE: DRIVE-END 6324
OPP, DRIVE-END 6320
 8. MOTOR APPROX. WEIGHT: 4350LBS

DATE September 3, 2014	OUTLINE DIMENSIONS
Catalog # KG3004	3-PHASE INDUCTION MOTOR
DWN. F.FAN AUG-31-2011	DWG NO. REV: 01
CHKD. H.HUANG AUG-31-2011	4A040G943
APPD. B.LIN AUG-31-2011	

