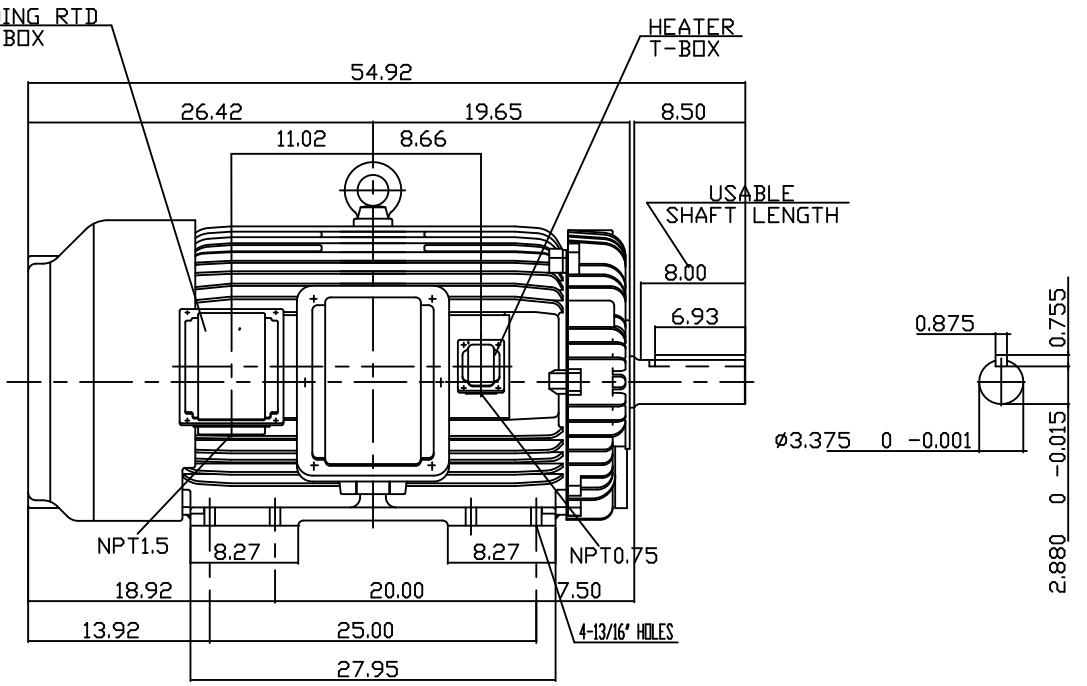
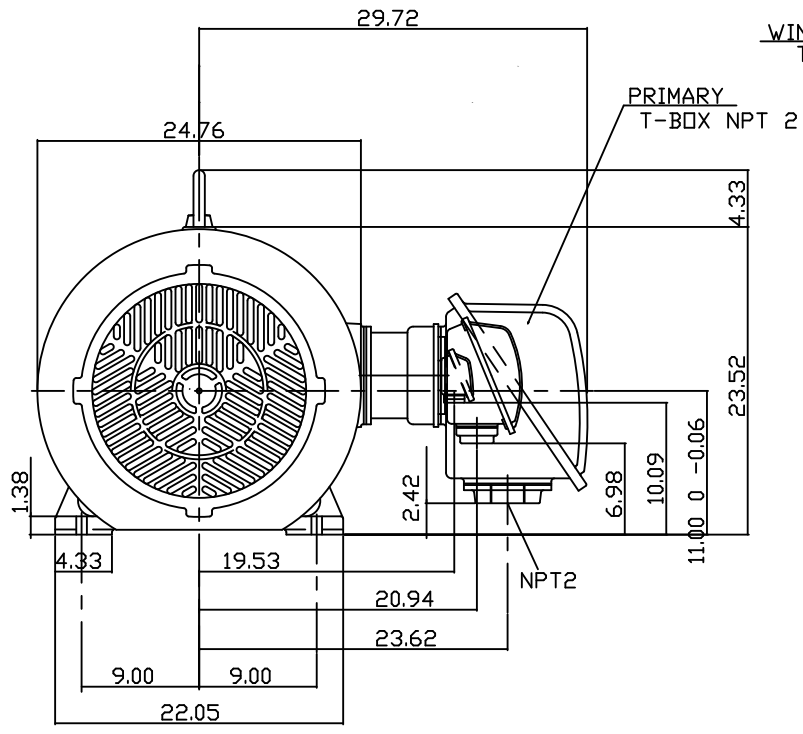


TYPE	OUTPUT		POLE	TIME RATING	VOLTAGE V	Hz	SYN.SPEED R.P.M
	HP.	kW.					
AEHGK	250	186.4	4	CONT.	2300/4160	60	1800

TOTALLY ENCLOSED FAN-COOLED TYPE, SQUIRREL-CAGE ROTOR



NOTE:

1. DIMENSIONS IN INCH
2. FRAME NO. 449T
3. F CLASS INSULATION, S.F.1.15
4. FOR DIRECT FLEXIBLE COUPLING
5. 100 OHM PLATINUM WINDING RTD
6. 120 VOLT SPACE HEATER AT 200 WATTS
7. BEARING SIZE DRIVE END: 6320  
NON-DRIVE END: 6316
8. ENCLOSURE: IP54
9. APPROX. WEIGHT: 2510 LBS

TW-56C

DATE: OCT 12, 2013	OUTLINE DIMENSIONS
CATALOG # KG2504T	3-PHASE INDUCTION MOTOR
DWG NO. 3B040C101	REV: 00

TEC Westinghouse

DWN.	LKP	11-06-2013