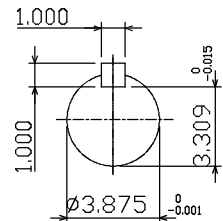
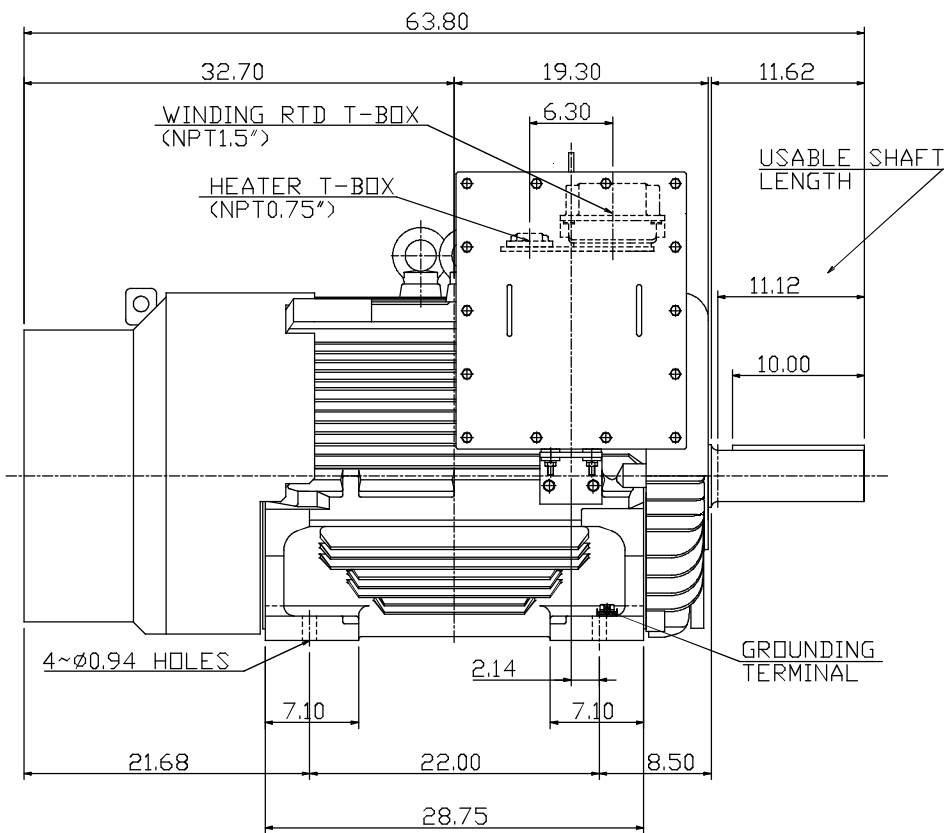
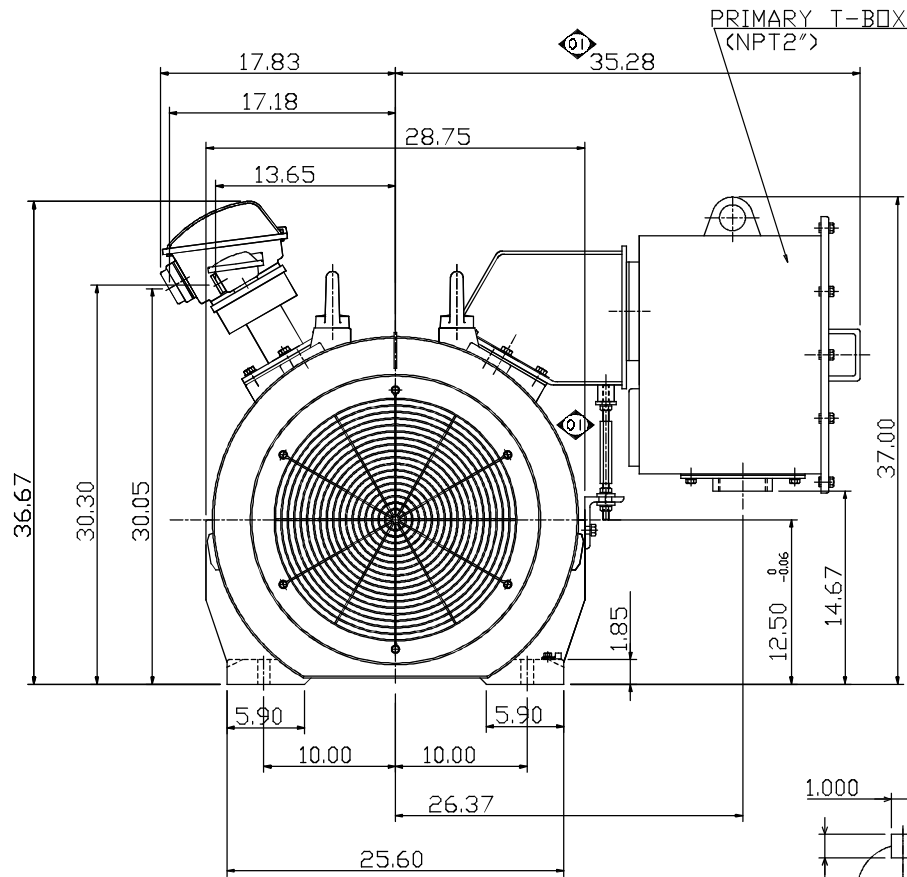


Downloaded from Dealers Industrial Equipment -- Visit <https://DealersElectric.com> or call (908) 688-1966 for all of your Teco needs!

TYPE	OUTPUT		POLE	TIME RATING	VOLTAGE V	Hz	SYN.SPEED R.P.M
	HP.	kW.					
AEHGK	250	187	4	CONT.	2300/4160	60	1800

TOTALLY ENCLOSED FAN-COOLED TYPE, SQUIRREL-CAGE ROTOR



SHAFT END
(ENLARGED VIEW)

- NOTE:
1. DIMENSIONS IN INCH
 2. FRAME NO. 5007B
 3. F CLASS INSULATION, S.F.1.15
 4. FOR DIRECT FLEXIBLE COUPLING
 5. ENCLOSURE: IP54
 6. WITH SPACE HEATER & WINDING RTD
 7. BEARING SIZE: DRIVE-END 6324
OPP. DRIVE-END 6320
 8. MOTOR APPROX. WEIGHT: 3500LBS

DATE	AUGUST 28, 2014	OUTLINE DIMENSIONS	
CATALOG #	KG2504	3-PHASE INDUCTION MOTOR	
DWN.	F.FAN	AUG-30-2011	TECO Westinghouse
CHKD.	H.HUANG	AUG-30-2011	
APPD.	B.LIN	AUG-30-2011	
DWG NO.		REV: 01	
4A040G861			