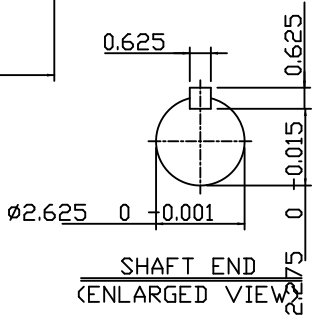
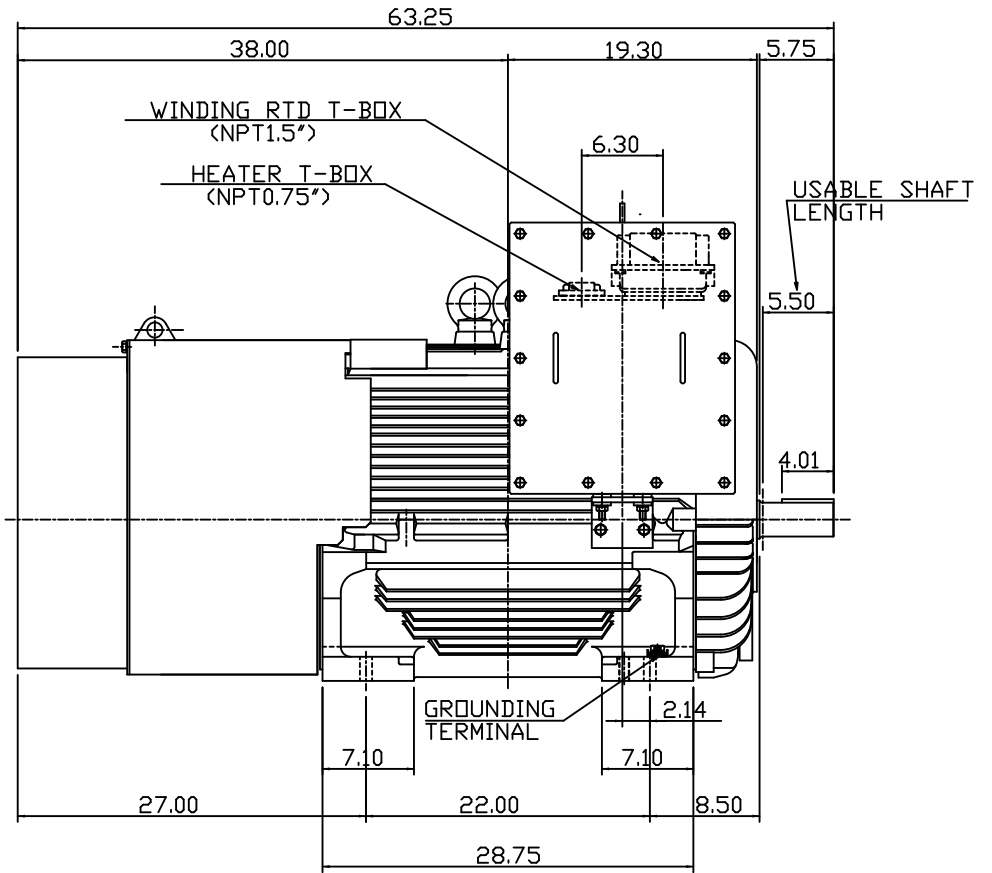
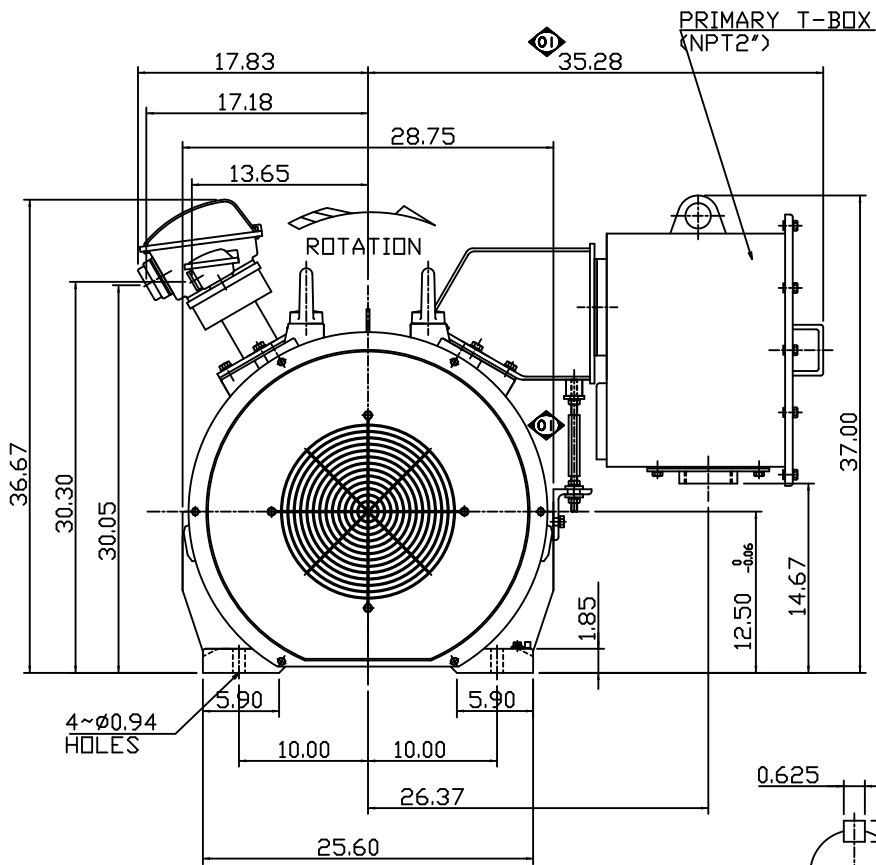


TYPE	OUTPUT		POLE	TIME RATING	VOLTAGE V	Hz	SYN.SPEED R.P.M
	HP.	kW.					
AEHGTK	250	187	2	CONT.	2300/4160	60	3600

TOTALLY ENCLOSED FAN-COOLED TYPE, SQUIRREL-CAGE ROTOR



- NOTE:
1. DIMENSIONS IN INCH.
  2. FRAME NO.5007A
  3. F CLASS INSULATION, S.F.1.15
  4. FOR DIRECT FLEXIBLE COUPLING
  5. ENCLOSURE: IP54
  6. WITH SPACE HEATER & WINDING RTD
  7. BEARING SIZE: DRIVE-END 6315C3  
OPP. DIRVE-END 6315C3
  8. MOTOR APPROX. WEIGHT: 3200 LBS

DATE AUG. 25, 2014			OUTLINE DIMENSIONS	
CATALOG # KG2502			3-PHASE INDUCTION MOTOR	
TECO Westinghouse			DWG NO.	REV: 01
			4A040G871	

DWN.	F.FAN	AUG-25-2011
CHKD.	H.HUANG	AUG-25-2011
APPD.	B.LIN	AUG-25-2011