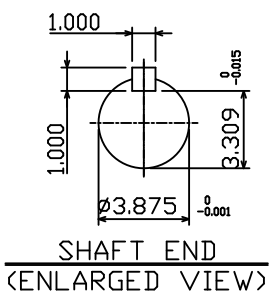
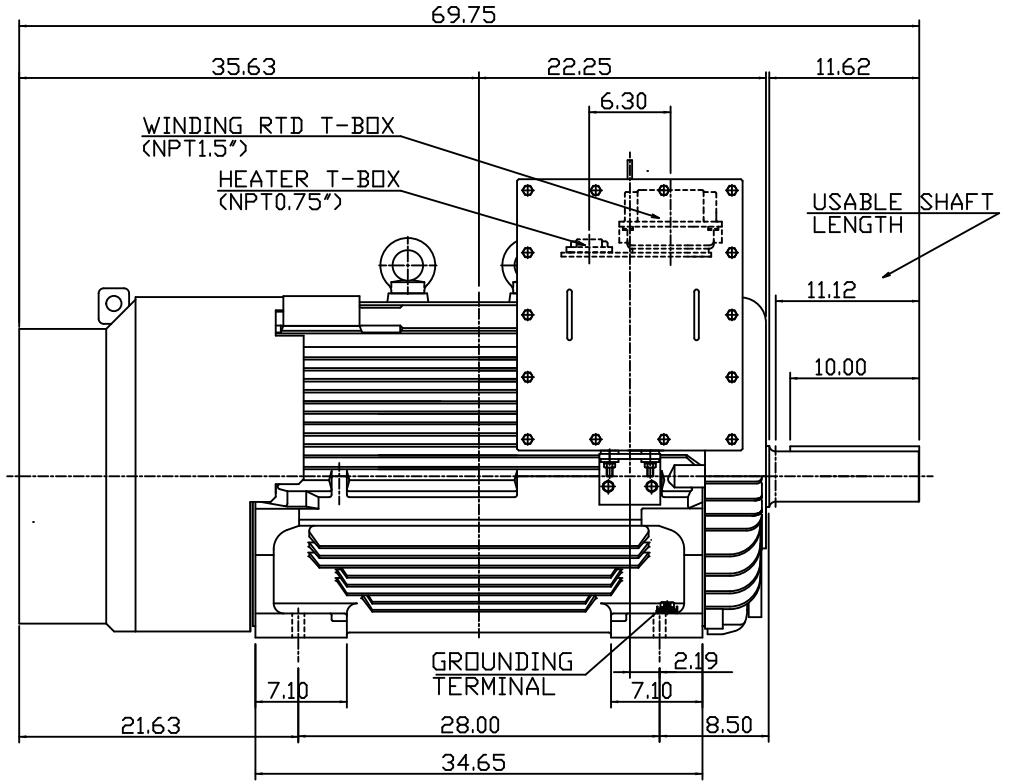
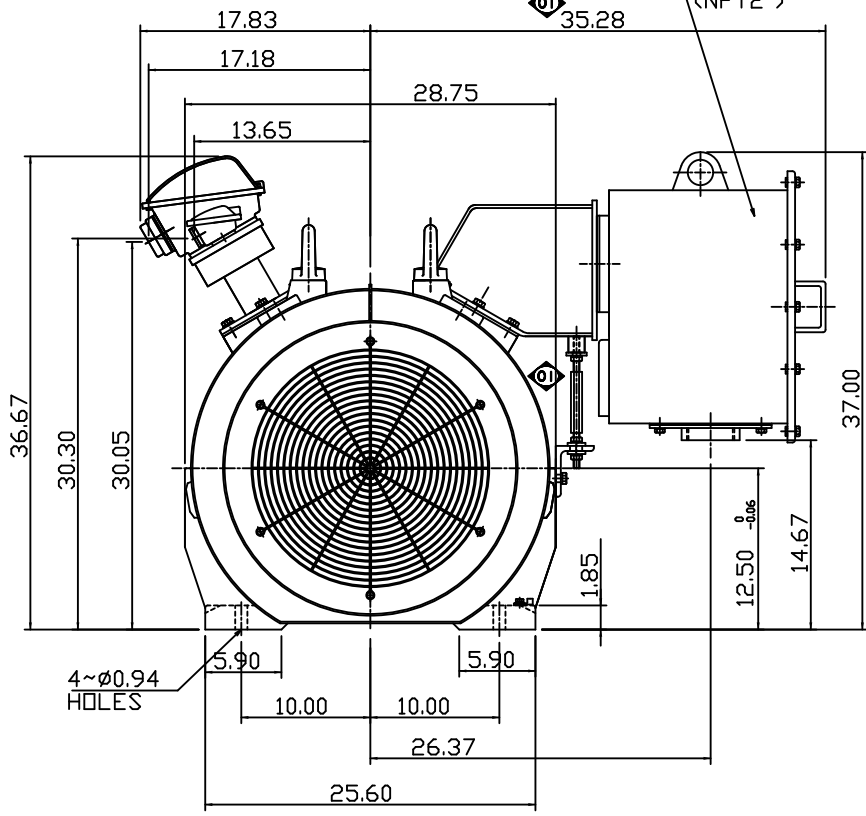


TYPE	OUTPUT		POLE	TIME RATING	VOLTAGE V	Hz	SYN.SPEED R.P.M
	HP.	kW.					
AEHGK	200	149	8	CONT.	2300/4160	60	900

TOTALLY ENCLOSED FAN-COOLED TYPE, SQUIRREL-CAGE ROTOR

PRIMARY T-BOX
(NPT2")



- NOTE:
1. DIMENSIONS IN INCH
 2. FRAME NO. 5009C
 3. F CLASS INSULATION, S.F.1.15
 4. FOR DIRECT FLEXIBLE COUPLING
 5. ENCLOSURE: IP54
 6. WITH SPACE HEATER & WINDING RTD
 7. BEARING SIZE: DRIVE-END NU324
OPP. DRIVE-END 6320
 8. MOTOR APPROX. WEIGHT: 4350LBS

DATE	AUG. 25, 2014	OUTLINE DIMENSIONS
CATALOG #	KG2008R	3-PHASE INDUCTION MOTOR
DWN.	F.FAN	AUG-31-2011
CHKD.	H.HUANG	AUG-31-2011
APPD.	B.LIN	AUG-31-2011
TECO Westinghouse		DWG NO. REV: 01
		4A040G944