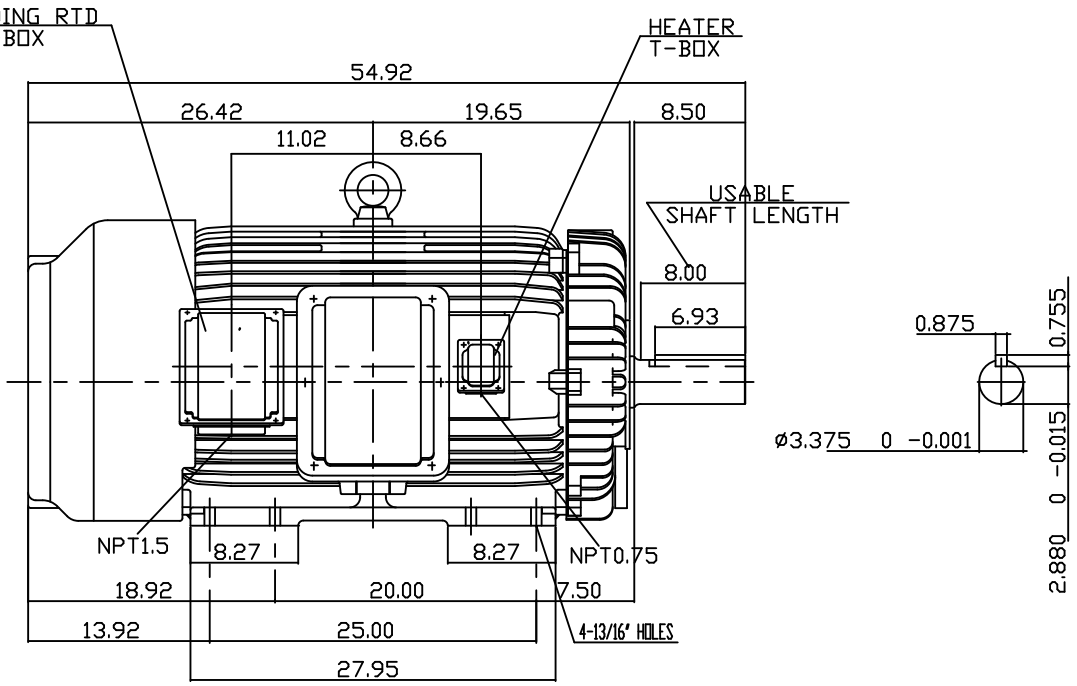
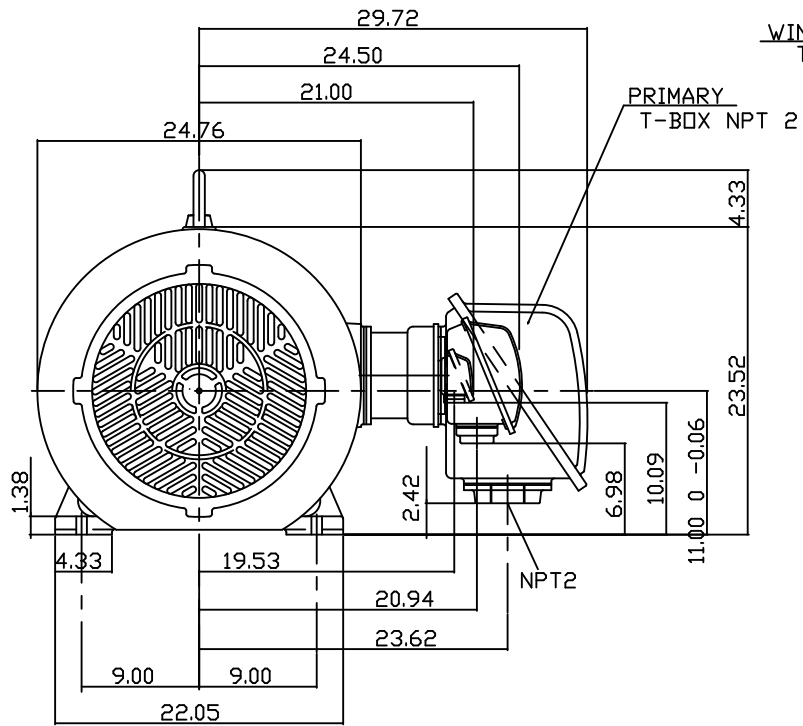


TYPE	OUTPUT		POLE	TIME RATING	VOLTAGE V	Hz	SYN.SPEED R.P.M
	HP.	kW.					
AEHGK	200	149.2	6	CONT.	2300/4160	60	1200

TOTALLY ENCLOSED FAN-COOLED TYPE, SQUIRREL-CAGE ROTOR



- NOTE:
1. DIMENSIONS IN INCH
  2. FRAME NO. 449T
  3. F CLASS INSULATION, S.F.1.15
  4. FOR DIRECT FLEXIBLE COUPLING
  5. 100 OHM PLATINUM WINDING RTD
  6. 120 VOLT SPACE HEATER AT 200 WATTS
  7. BEARING SIZE DRIVE END: 6320  
NON-DRIVE END: 6316
  8. ENCLOSURE: IP54
  9. APPROX. WEIGHT: 2930 LBS

DATE: OCT 12, 2013	OUTLINE DIMENSIONS
CATALOG # KG2006T	3-PHASE INDUCTION MOTOR

DWN.	LKP	11-05-2013

TEC Westinghouse

DWG NO. REV: 00  
3B040C101

TW-56C