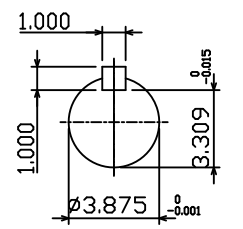
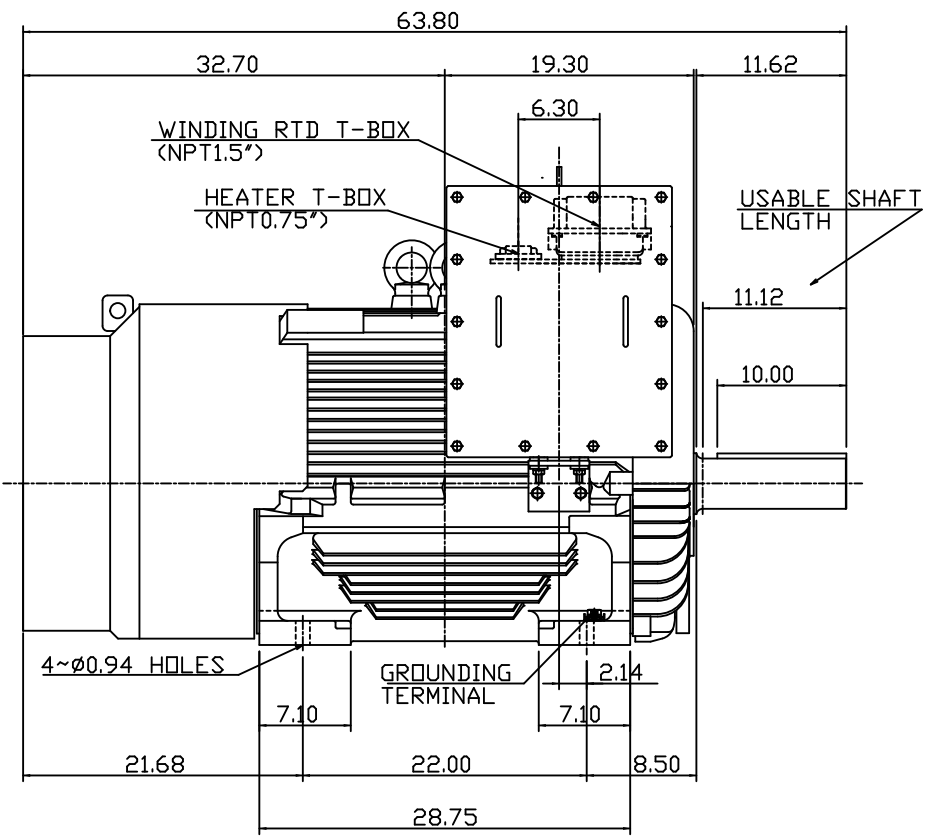
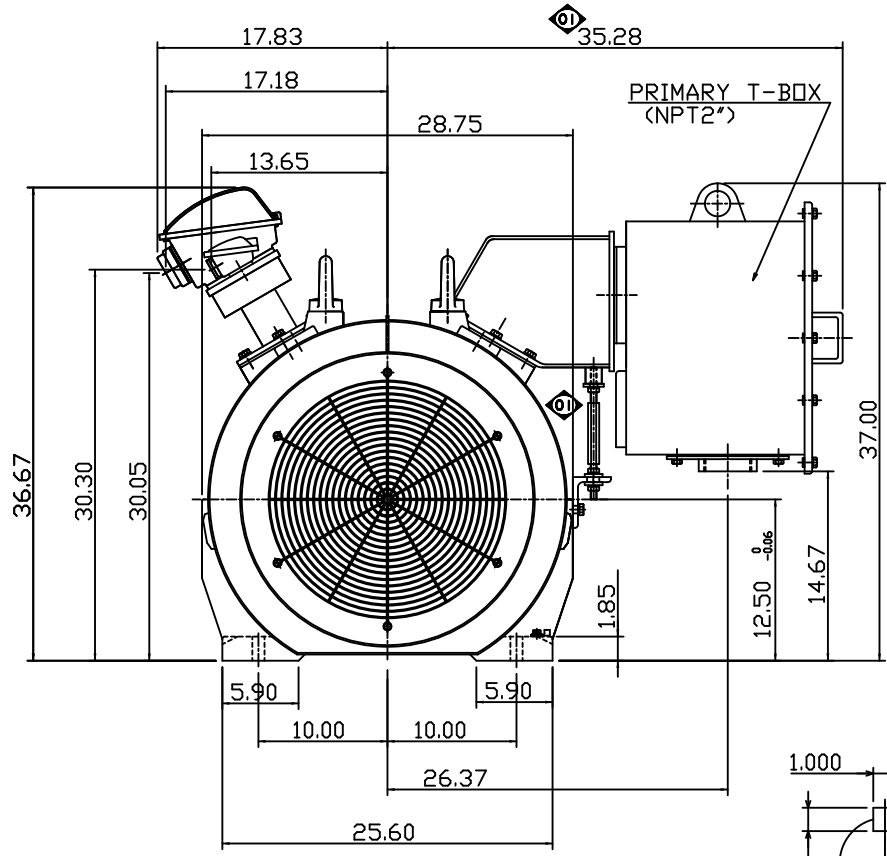


TYPE	OUTPUT		POLE	TIME RATING	VOLTAGE V	Hz	SYN.SPEED R.P.M
	HP.	kW.					
AEHGK	200	149	6	CONT.	2300/4160	60	1200

TOTALLY ENCLOSED FAN-COOLED TYPE, SQUIRREL-CAGE ROTOR



SHAFT END
(ENLARGED VIEW)

- NOTE:
1. DIMENSIONS IN INCH
 2. FRAME NO. 5007C
 3. F CLASS INSULATION, S.F.1.15
 4. FOR DIRECT FLEXIBLE COUPLING
 5. ENCLOSURE: IP54
 6. WITH SPACE HEATER & WINDING RTD
 7. BEARING SIZE: DRIVE-END NU324
OPP. DRIVE-END 6320
 8. MOTOR APPROX. WEIGHT: 3600LBS

DATE	AUG. 25, 2014	OUTLINE DIMENSIONS
CATALOG #	KG2006R	3-PHASE INDUCTION MOTOR
DWN.	F.FAN	AUG-30-2011
CHKD.	H.HUANG	AUG-30-2011
APPD.	B.LIN	AUG-30-2011
TECO Westinghouse		DWG NO. REV: 01
		4A040G941