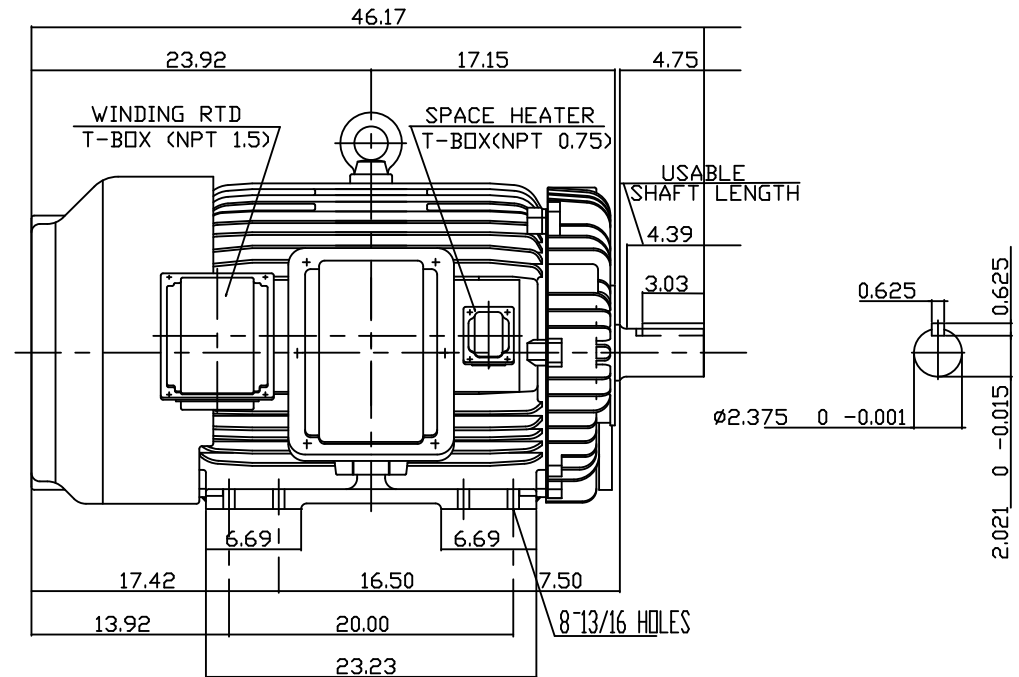
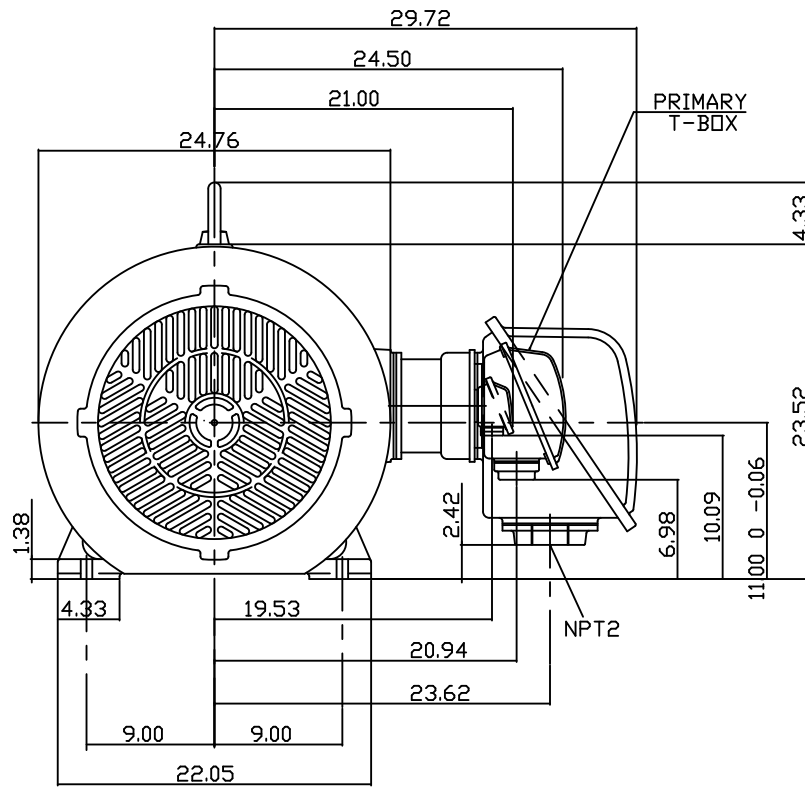


TYPE	OUTPUT		POLE	TIME RATING	VOLTAGE V	Hz	SYN.SPEED R.P.M
	HP.	kW.					
AEHGK	150	112	2	CONT.	2300/4160	60	3600

TOTALLY ENCLOSED FAN-COOLED TYPE, SQUIRREL-CAGE ROTOR



NOTE:

1. DIMENSIONS IN INCH
2. FRAME NO. 447TS
3. F CLASS INSULATION, S.F.1.15
4. FOR DIRECT FLEXIBLE COUPLING
5. WITH WINDING RTD & SPACE HEATER
6. ENCLOSURE: IP54
7. BEARING SIZE DRIVE END: 6314C3
NON-DRIVE END: 6314C3
8. APPROX. WEIGHT: 1950 LBS

TW-56C

DATE: JANUARY 13, 2014	OUTLINE DIMENSIONS
CATALOG # KG1502	3-PHASE INDUCTION MOTOR

DWN.	C. COOK	01-13-2014

TECO Westinghouse

DWG NO. REV: 00
4A040Y202