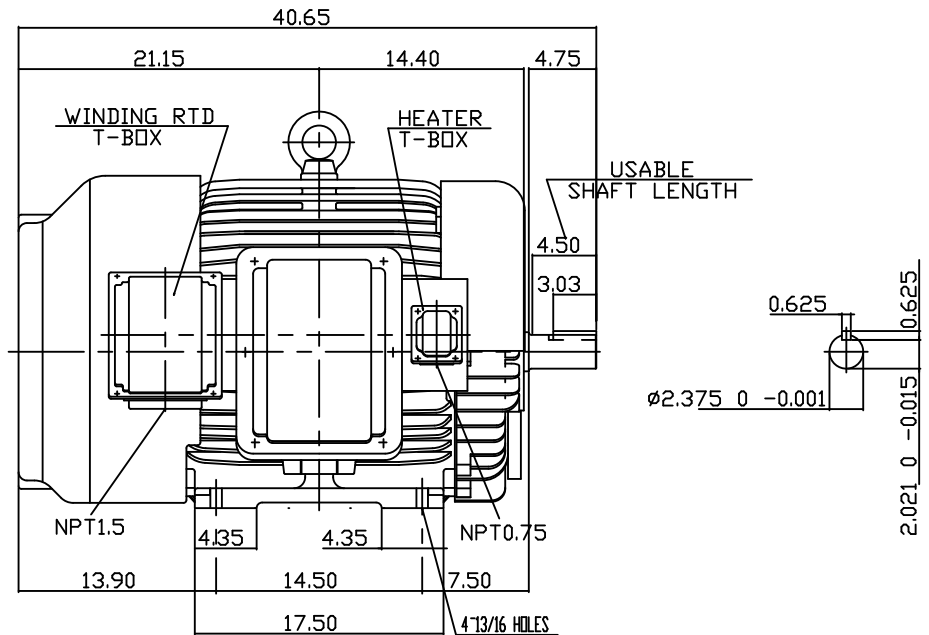
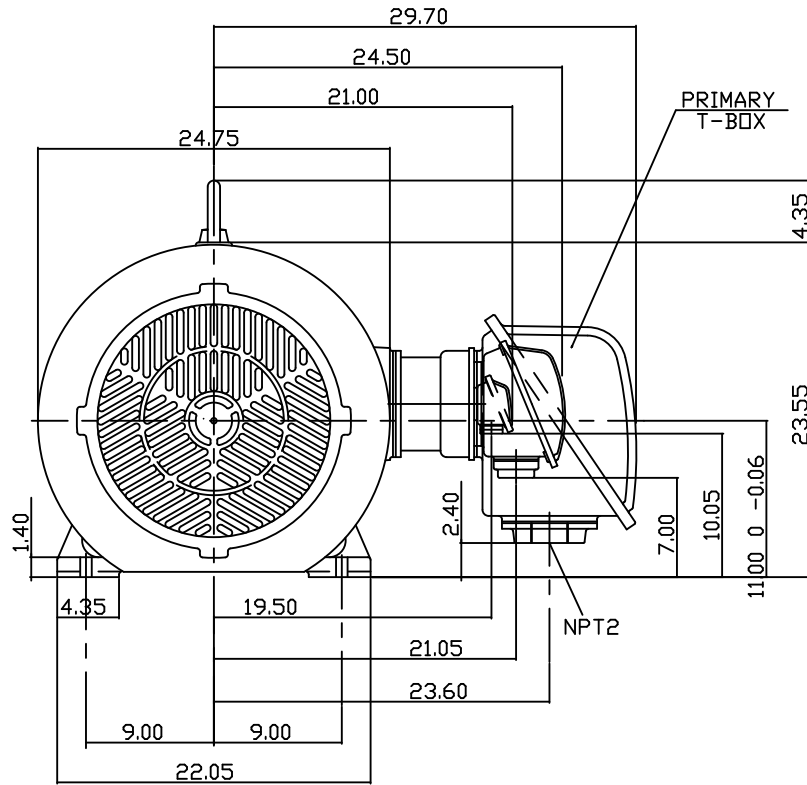


TYPE	OUTPUT		POLE	TIME RATING	VOLTAGE V	Hz	SYN.SPEED R.P.M
	HP.	KW.					
AEHGK	100	74.6	2	CONT.	2300/4160	60	3600

TOTALLY ENCLOSED FAN-COOLED TYPE, SQUIRREL-CAGE ROTOR



NOTE:

1. DIMENSIONS IN INCH
2. FRAME NO. 444TS
3. F CLASS INSULATION, S.F.1.15
4. FOR DIRECT FLEXIBLE COUPLING
5. WITH WINDING RTD & SPACE HEATER
6. ENCLOSURE: IP54
7. BEARING SIZE DRIVE END: 6314C3  
NON-DRIVE END: 6314C3
8. APPROX. WEIGHT: 1740 LBS

TW-56C

DATE:	MAY 13, 2013	OUTLINE DIMENSIONS
CATALOG #	KG1002	3-PHASE INDUCTION MOTOR

DWN.	C.COOK	09-20-2013

TECO Westinghouse

DWG NO. REV: 00  
3B040C094