

DATE  
Nov. 7, 2008  
Cat. #:

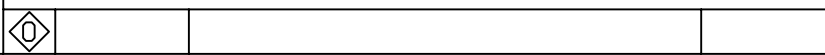
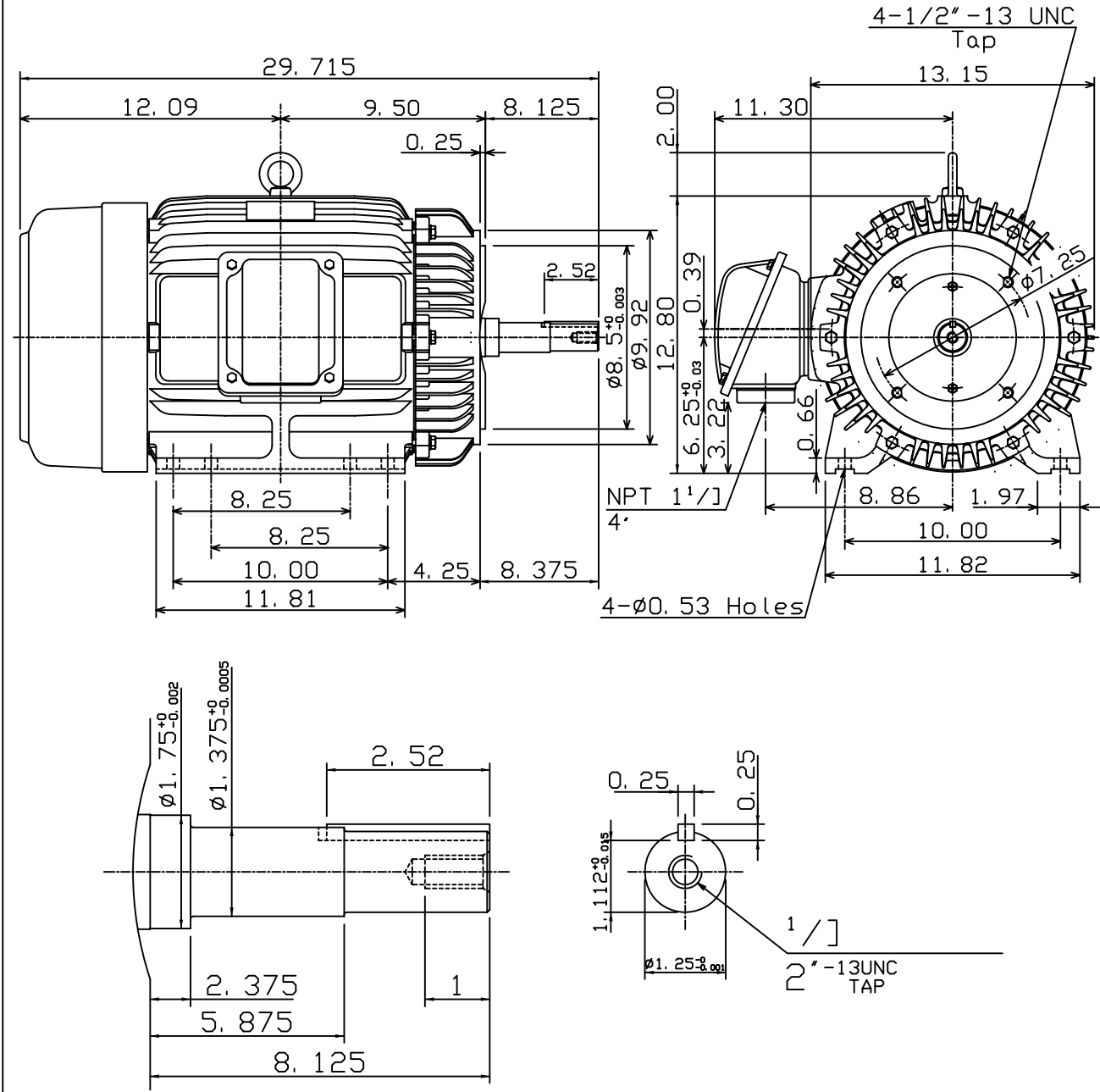
OUTLINE DIMENSIONS  
3-PHASE INDUCTION MOTOR

MOTOR TYPE:  
AEEAJP-NE  
FRAME NO. 256JP

Pole	HP	kW	Hz	VOLT	Syn. Speed r/min(rpm)
.	.	.	.	.	.

Ins	Rating	Dimension in	Approx Weight	Bearings
F	CONT.	inch	305 lbs.	DE: 6309ZZ NDE: 6307ZZ

Totally Enclosed Fan Cooled Squirrel Cage Rotor.



DWN.	K. L. KUO	02-13-08
CHKD.	K. L. KUO	02-14-08
APPD.	M. C. TSAI	02-14-08



DWG NO.  
31057H203790