

DATE
Nov. 7, 2008
Cat, #:

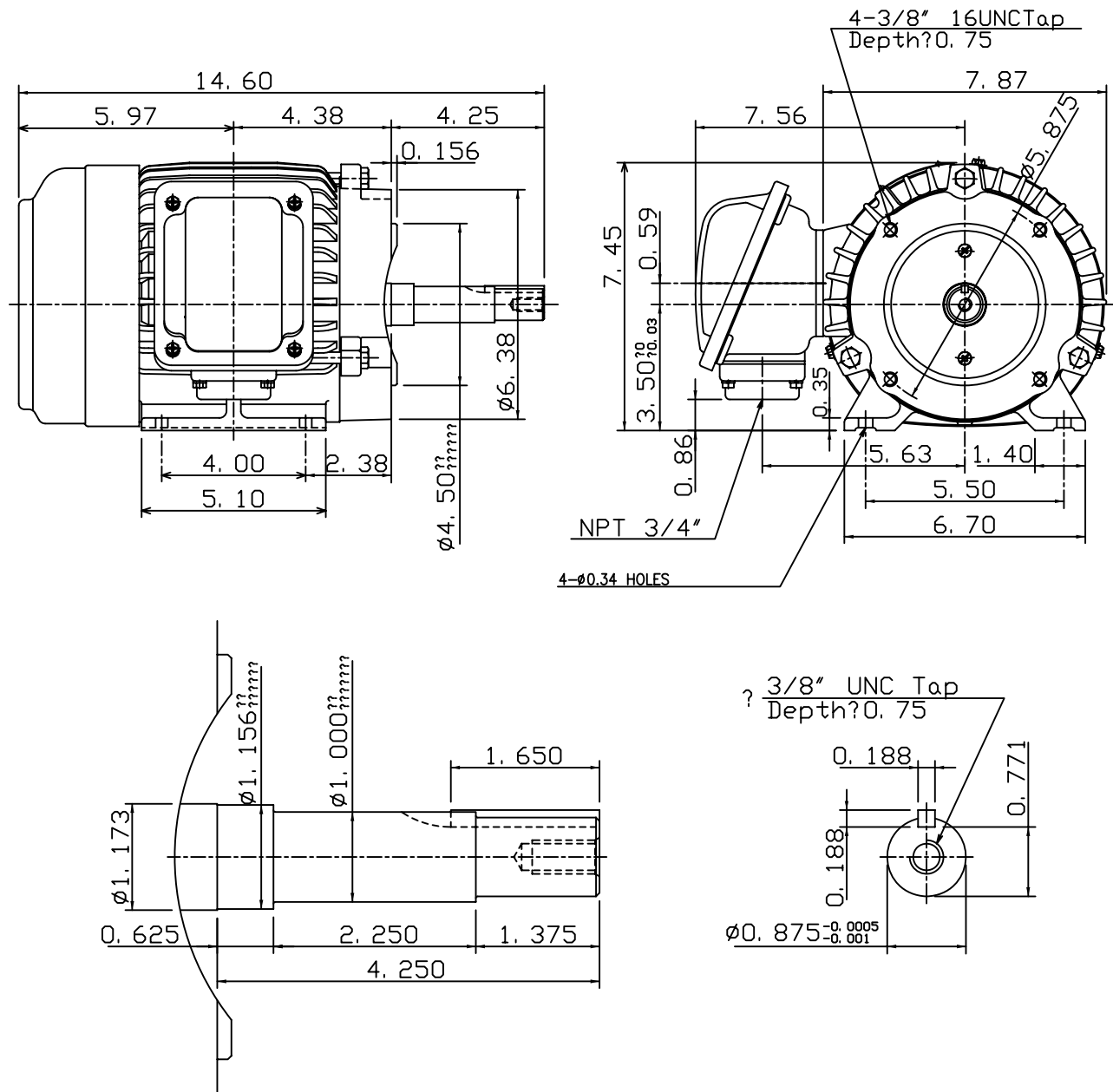
OUTLINE DIMENSIONS
3-PHASE INDUCTION MOTOR

MOTOR TYPE:
AEEAJM-NE
FRAME NO. 143JM

Pole	HP	kW	Hz	VOLT	Syn. Speed r/min(rpm)
-	-	-	-	-	-

Ins	Rating	Dimension in	Approx Weight	Bearings
F	CONT.	inches	48 lbs.	DE: 6206ZZ NDE: 6205ZZ

Totally Enclosed Fan Cooled Type. Squirrel Cage Rotor.



\diamond		
------------	--	--

DWN.	J. H. LIANG	12-13-07
CHKD.	H. C. YAN	02-12-08
APPD.	M. C. TSAI	02-12-08

TEC Westinghouse

DWG NO.
31049H737030