

DATE  
APRIL 26, 2004  
CATALOG NO.  
HH7/52

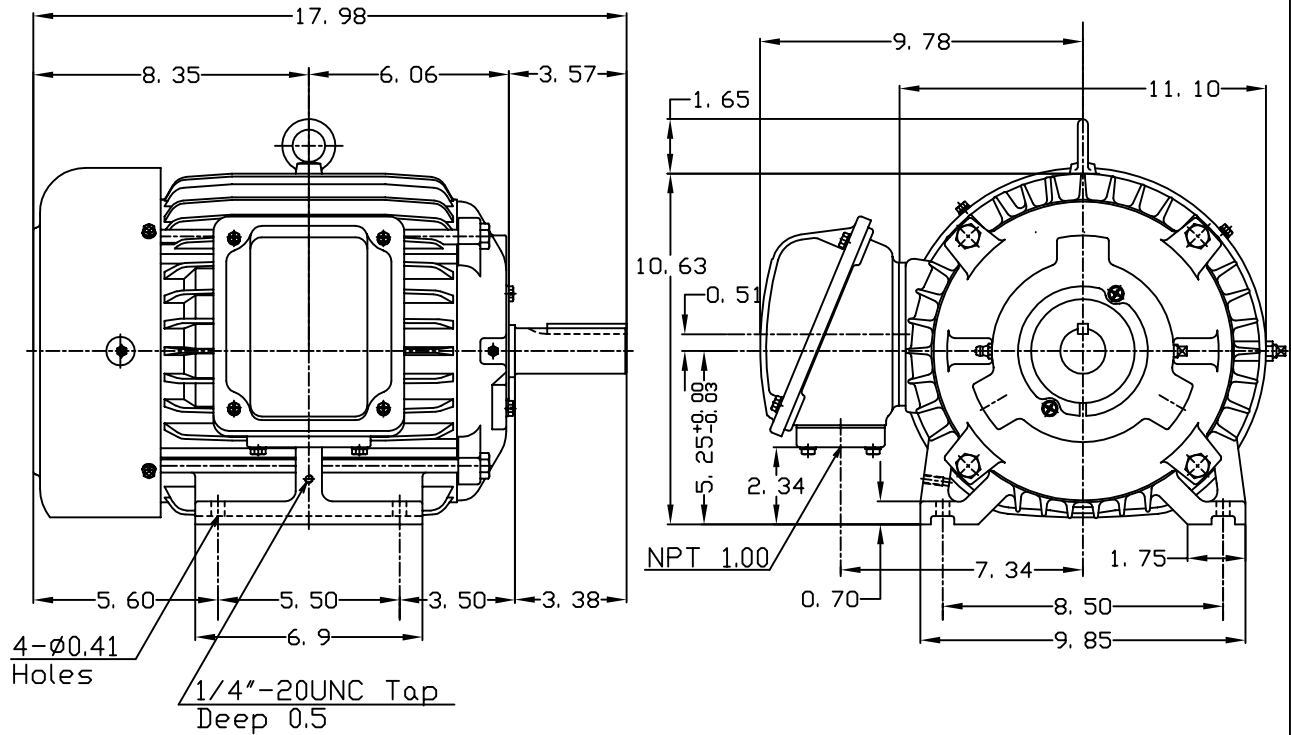
OUTLINE DIMENSIONS  
3-PHASE INDUCTION MOTOR

MOTOR TYPE:  
AEHH  
FRAME NO. 213T

Pole	HP	KW	Hz	VOLT	Syn.Speed RPM
2	7.5	5.6	60	460	3600

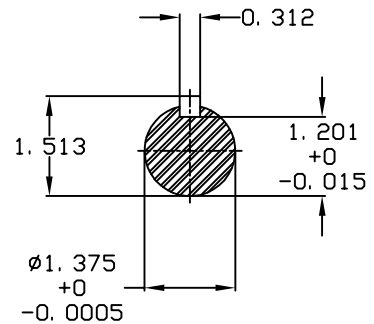
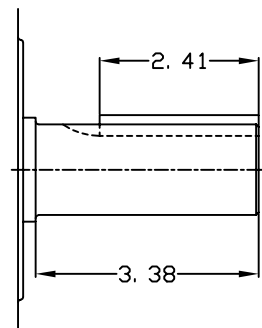
Ins	Rating	Dimension in	Approx Weight	Bearings
F	CONT.	inches	167 lbs.	DE: 6308ZC35C NDE: 6306ZC35C

Totally Enclosed Fan-Cooled Type.Squirrel-Cage Rotor.



4- $\phi$ 0.41  
Holes

1/4"-20UNC Tap  
Deep 0.5



+

DWN.	胡峰誠	11·12·98
CHKD.	羅清水	11·23·98
APPD.	黃友伯	11·23·98

TECO Westinghouse

DWG NO.  
31049M893001