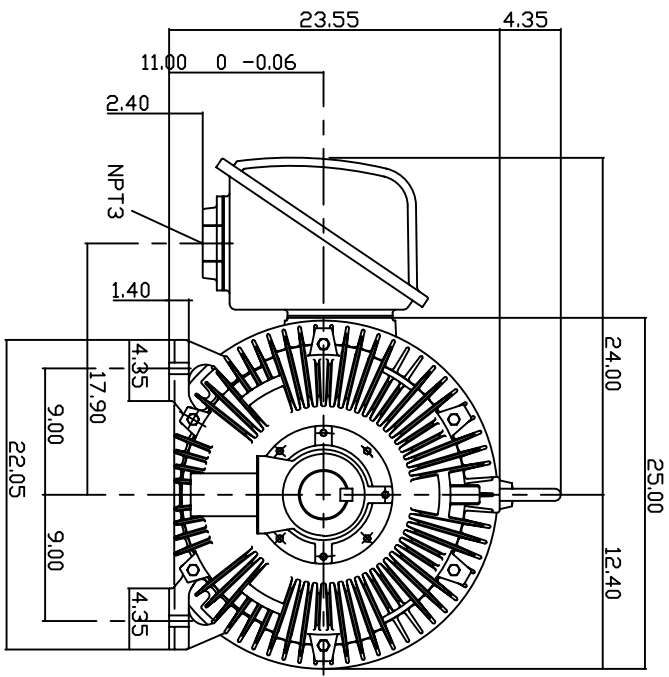
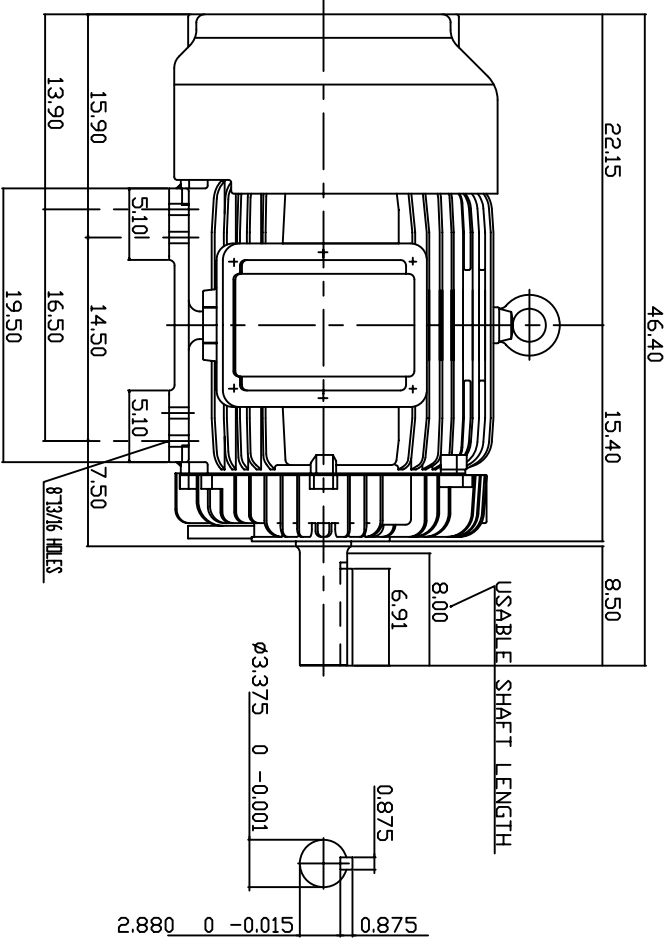


TYPE	OUTPUT HP.	KW.	POLE	RATING CDNT.	VOLTAGE V	Hz	SYNSPEED R.P.M
AEHH	125	93.3	6		380	50	1000

TOTALLY ENCLOSED FAN-COOLED TYPE, SQUIRREL-CAGE ROTOR



NOTE:

1. DIMENSIONS IN INCH
2. FRAME NO. 445T
3. F CLASS INSULATION, S.F.10
4. FOR DIRECT FLEXIBLE COUPLING
5. ENCLOSURE: IP55
6. BEARING SIZE DRIVE END: 6318C3
NON-DRIVE END: 6316C3
7. APPROX. WEIGHT: 1850 LBS
8. NON-SPARKING FAN.
9. NOISE: BELOW 83 DBA AT 1 METER, NO LOAD.

TW-56C

DWN. T.H.Pan	FEB 18 2005	DATE	06-20-05
CHKD. H.HUANG	FEB 18 2005	CAT. #	HH1256-50
APPD. C.WANG	FEB 18 2005	OUTLINE DIMENSIONS	3-PHASE INDUCTION MOTOR
		DWG NO.	3A040Y698
		REV.	00

