

DATE
APRIL 19, 2004
CATALOG NO.
HH0406-50

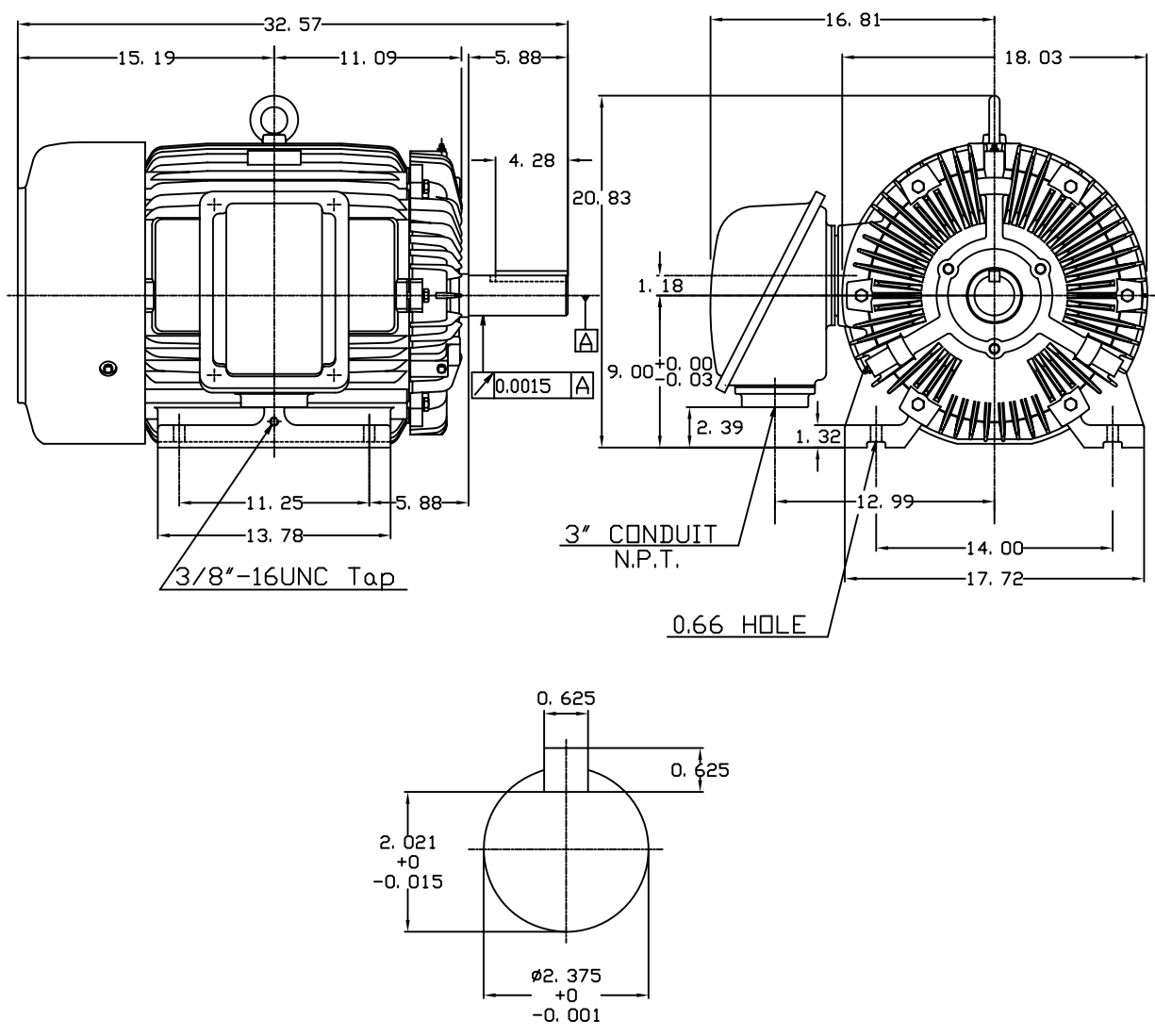
OUTLINE DIMENSIONS
3-PHASE INDUCTION MOTOR

MOTOR TYPE:
AEHH
FRAME NO. 364T

Pole	HP	KW	Hz	VOLT	Syn.Speed RPM
6	40	29.84	50	380	1000

Ins	Rating	Dimension in	Approx Weight	Bearings
F	CONT.	inches	834 lbs.	DE:6313ZC35CNDE: 6213ZC35C

Totally Enclosed Fan-Cooled Type. Squirrel-Cage Rotor.



◇		
---	--	--

DWN.	J.H.LIANG	11-30-98
CHKD.	C.H.KAO	12-26-98
APPD.	Y.B.HUANG	12-26-98



DWG NO.
31049M631040