

DATE
Sept. 12, 2005
CAT. #: HH0304-50

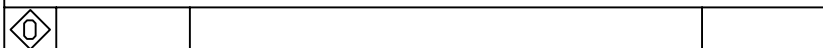
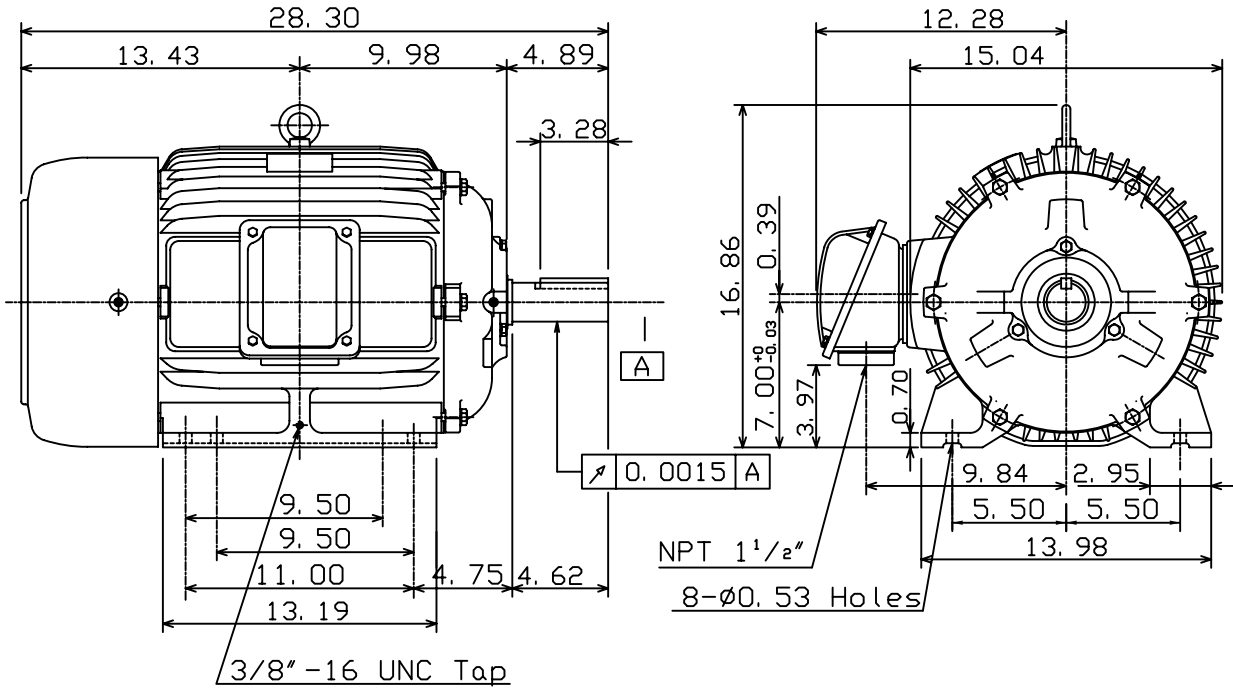
OUTLINE DIMENSIONS
3-PHASE INDUCTION MOTOR

MOTOR TYPE:
AEHH
FRAME NO. 286T

Pole	HP	kW	Hz	VOLT	Syn. Speed r/min(rpm)
4	30	22.4	50	380	1500

Ins	Rating	Dimension in	Approx Weight	Bearings
F	CONT.	inches	475 lbs.	DE: 6311ZC3 NDE: 6310ZC3

Totally Enclosed Fan Cooled Type. Squirrel-cage Rotor.



DWN.	K. L. KUO	01-13-05
CHKD.	C. H. KAO	02-02-05
APPD.	M. C. TSAI	02-02-05



DWG NO.
31049M628440