

DATE
APRIL 27, 2004
CATALOG NO.
HH0252

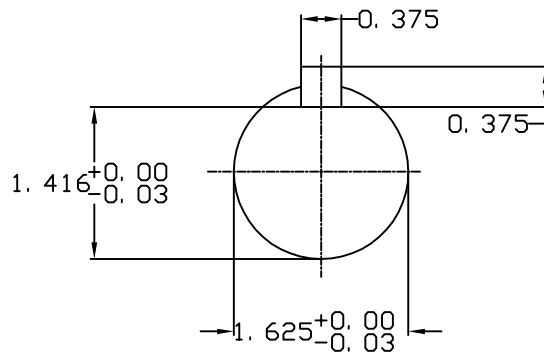
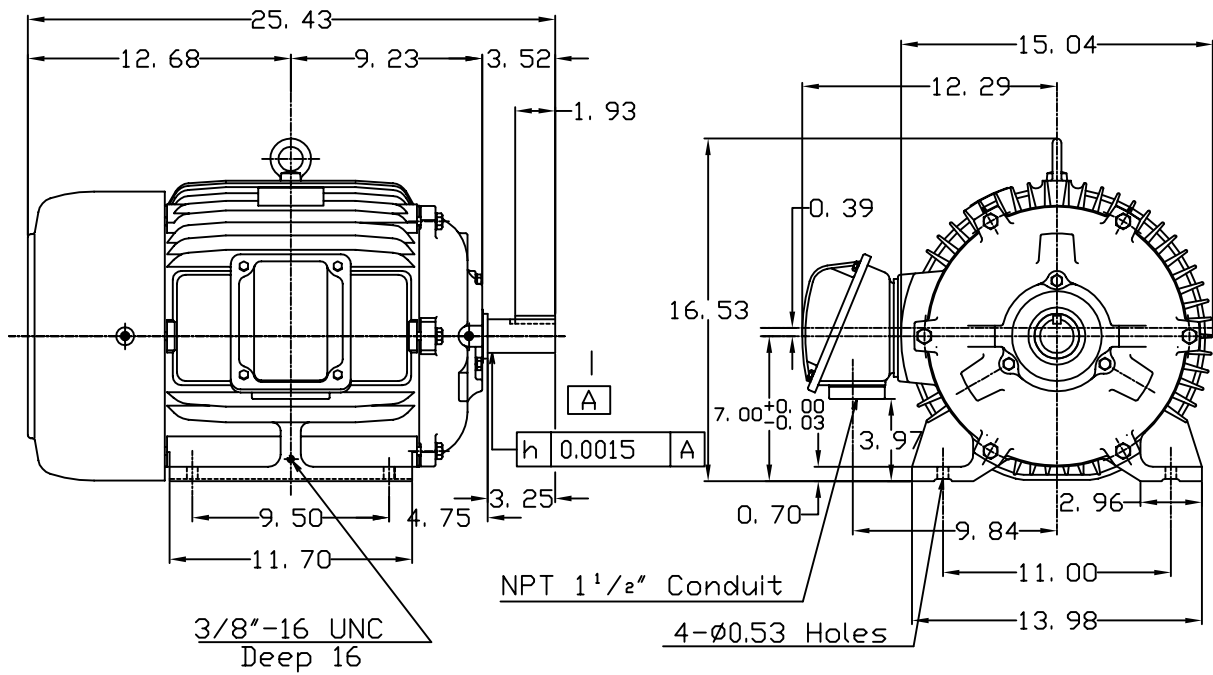
OUTLINE DIMENSIONS
3-PHASE INDUCTION MOTOR

MOTOR TYPE:
AEHH
FRAME NO. 284TS

Pole	HP	KW	Hz	VOLT	Syn.Speed RPM
2	25	18.65	60	460	3600

Ins	Rating	Dimension in	Approx Weight	Bearings
F	CONT.	inches	394 lbs.	DE: 6311ZC35C NDE: 6310ZC35C

Totally Enclosed Fan Cooled Type. Squirrel-cage Rotor.



DWN.	J.H.LIANG	11-30-98
CHKD.	C.H.KAD	12-26-98
APPD.	Y.B.HUANG	12-26-98

TECO Westinghouse

DWG NO.
31049M627020