

DATE
Sept. 12, 2005
CAT. #: HH0026

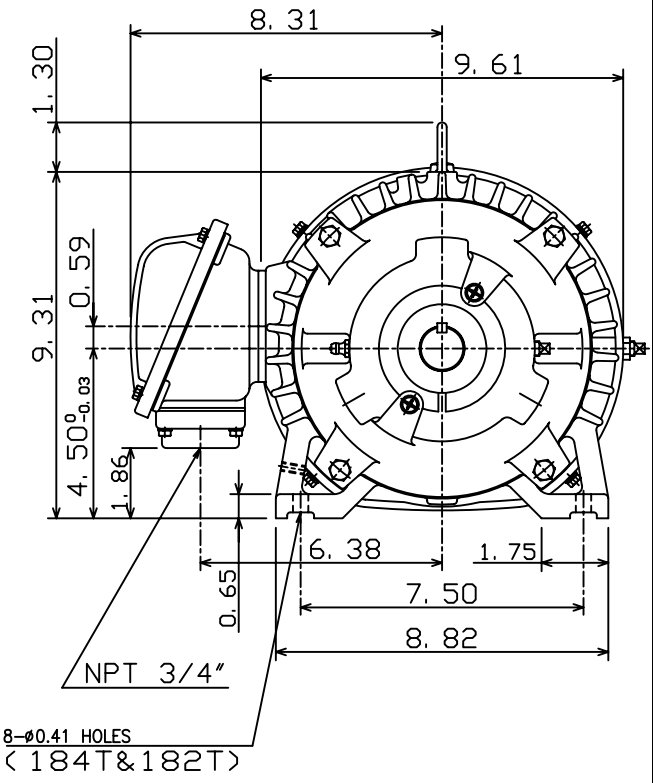
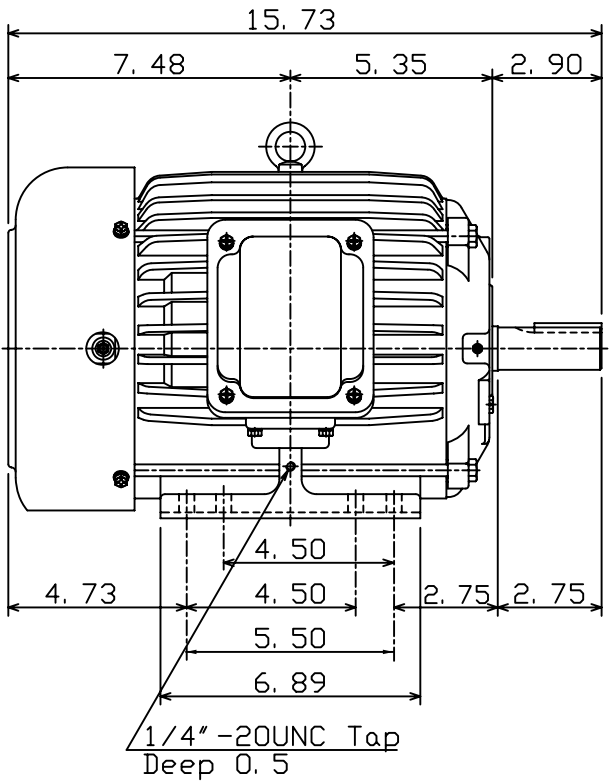
OUTLINE DIMENSIONS
3-PHASE INDUCTION MOTOR

MOTOR TYPE:
AEHH
FRAME NO. 184T

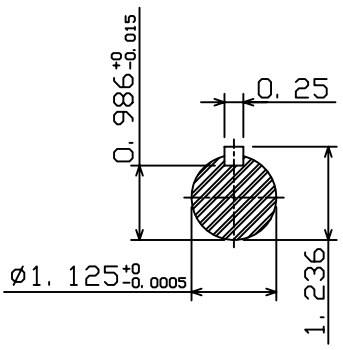
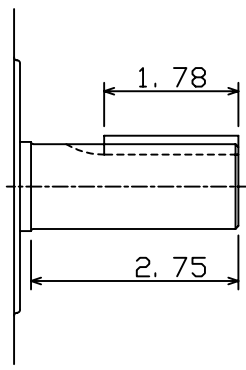
Pole	HP	kW	Hz	VOLT	Syn. Speed r/min(rpm)
6	2	1.5	60	460	1200

Ins	Rating	Dimension in	Approx Weight	Bearings
F	CONT.	inches	96 lbs.	DE: 6306ZC35C NDE: 6306ZC35C

Totally Enclosed Fan-Cooled Type, Squirrel-Cage Rotor.



8- ϕ 0.41 HOLES
(184T&182T)



DWN.	C. S. LO	12-22-04
CHKD.	C. S. LO	12-27-04
APPD.	M. C. TSAI	12-27-04



DWG NO.
31049M892140