

DATE
Sept. 12, 2005
CAT. #: HH0016

OUTLINE DIMENSIONS

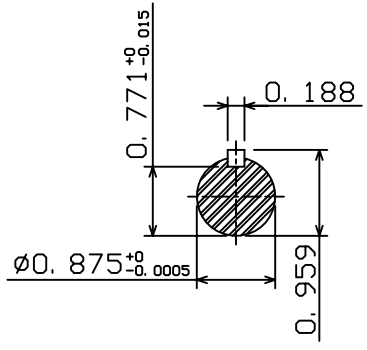
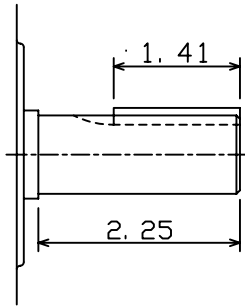
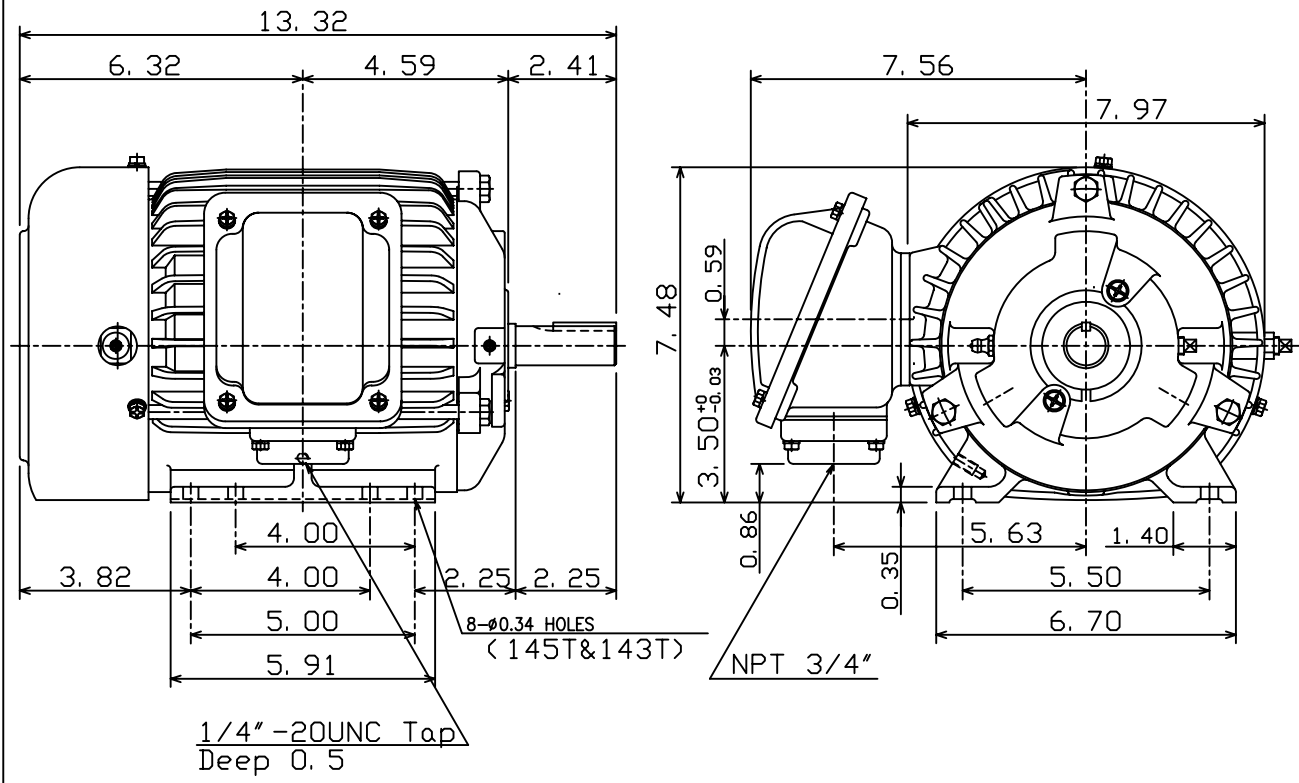
3-PHASE INDUCTION MOTOR

MOTOR TYPE:
AEHH
FRAME NO. 145T

Pole	HP	kW	Hz	VOLT	Syn. Speed r/min(rpm)
6	1	.75	60	460	1200

Ins	Rating	Dimension in	Approx Weight	Bearings
F	CONT.	inches	60 lbs.	DE: 6205ZC35C NDE: 6205ZC35C

Totally Enclosed Fan-Cooled Type, Squirrel-Cage Rotor.



\diamond		
------------	--	--

DWN.	C. S. LO	12-22-04
CHKD.	C. S. LO	12-27-04
APPD.	M. C. TSAI	12-27-04



DWG NO.
31049M890070