

DATE
January 21, 2009

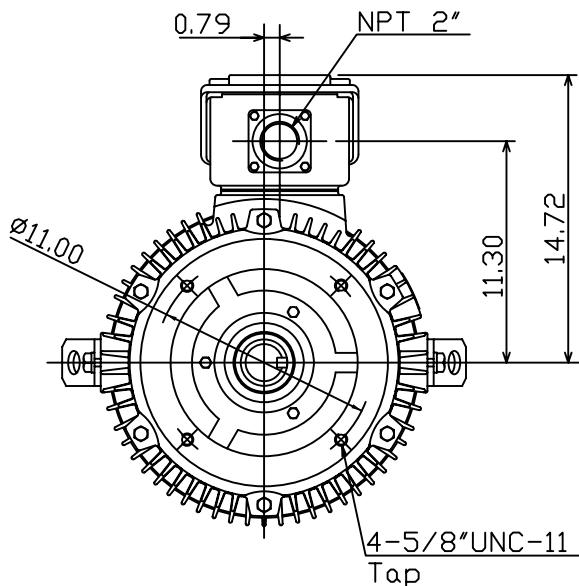
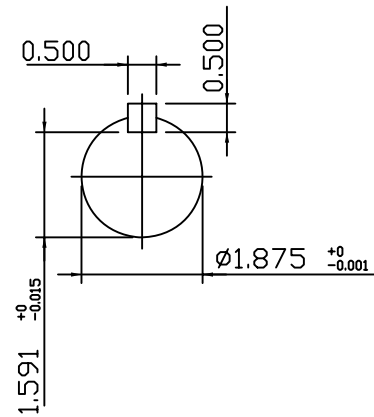
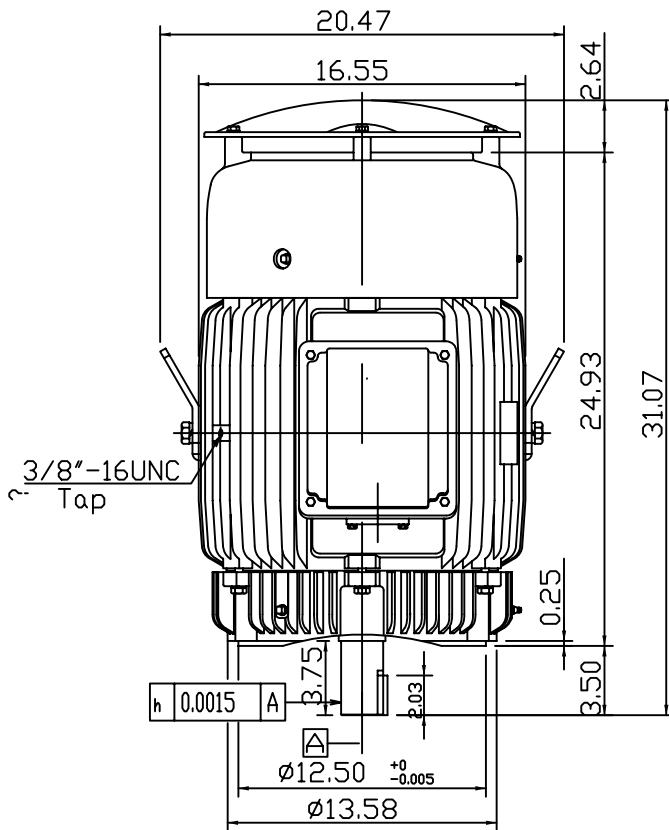
OUTLINE DIMENSIONS
3-PHASE INDUCTION MOTOR

MOTOR TYPE:
AEUH8B-DC
FRAME NO. 324TSC

CAT. #:

Pole	HP	kW	Hz	VOLT	Syn.Speed r/min(rpm)
2					
Ins	Rating	Dimension in	Approx Weight	Bearings	
F	CONT.	inches	640 LBS	DE: 6312ZC3 NDE: 6212ZC3	

Totally Enclosed Fan-cooled Vertical Type.Squirrel-cage Rotor.



- Note:
1. C/W Inpro/Seal In Both End Brackets.
 2. Motor Vibration:10?

◇		
---	--	--

DWN.	???????	01 01 09
CHKD.	???????	01 02 09
APPD.	???????	01 02 09



DWG NO.
31057H416260