

DATE
January 21, 2009
CAT. #:

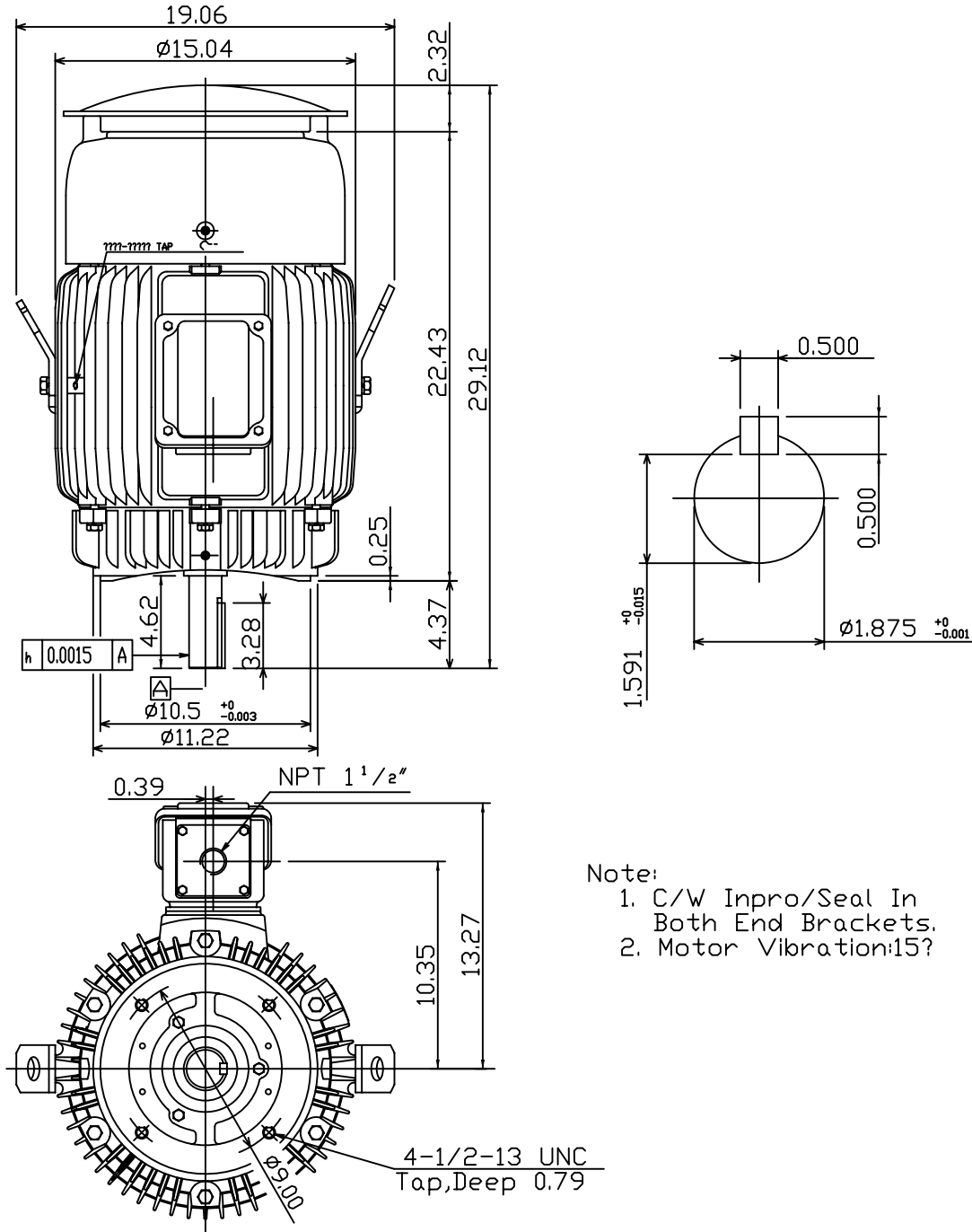
OUTLINE DIMENSIONS
3-PHASE INDUCTION MOTOR

MOTOR TYPE:
AEUH8B-DC
FRAME NO. 284TC

Pole	HP	kW	Hz	VOLT	Syn.Speed r/min(rpm)
4/6/8

Ins	Rating	Dimension in	Approx Weight	Bearings
F	CONT.	inches	446 LBS	DE: 6311ZC3 NDE: 6310ZC3

Totally Enclosed Fan-Cooled Vertical Type Squirrel-Cage Rotor.



- Note:
1. C/W Inpro/Seal In Both End Brackets.
 2. Motor Vibration: 15?



DWN.	???????	01 01 09
CHKD.	???????	01 02 09
APPD.	???????	01 02 09



DWG NO.
31057D368330