

DATE
January 21, 2009
CAT. #: HBV0012C

OUTLINE DIMENSIONS

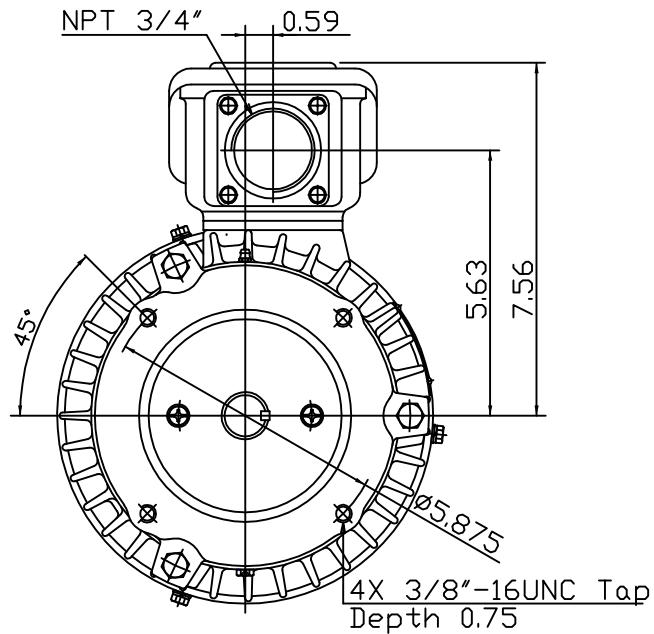
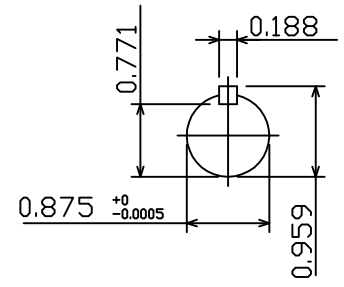
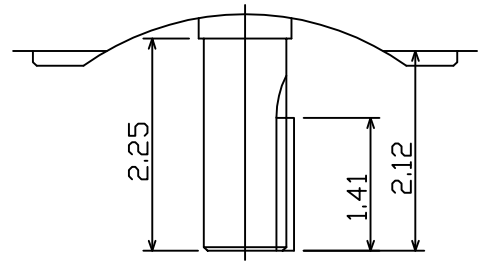
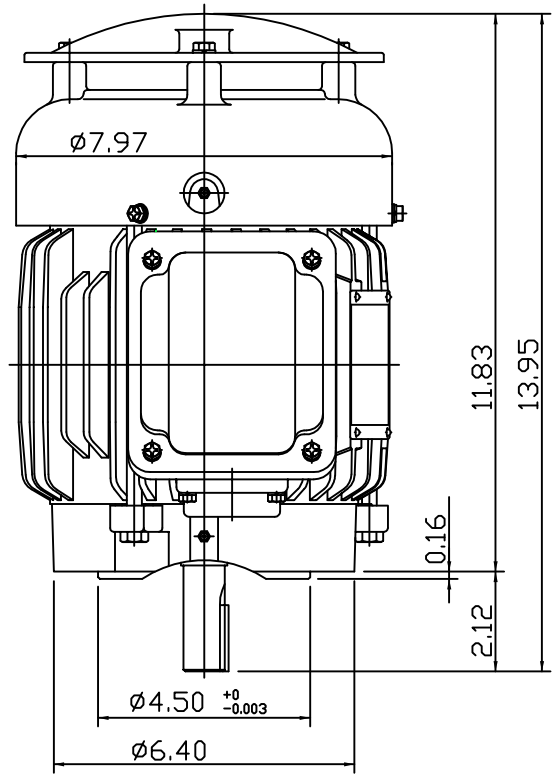
3-PHASE INDUCTION MOTOR

MOTOR TYPE:
AEUH8B-DC
FRAME NO. 143TC

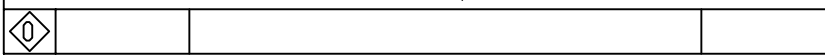
Pole	HP	kW	Hz	VOLT	Syn.Speed r/min(rpm)
2	1	0.75	60	460	3600

Ins	Rating	Dimension in	Approx Weight	Bearings
F	CONT.	inches	60 LBS	DE: 6205ZC3 NDE: 6205ZC3

Totally Enclosed Fan-Cooled Vertical Type. Squirrel-Cage Rotor.



Note:
1. With Inpro Seals
On Both End.



DWN.	???????	01 07 09
CHKD.	???????	01 14 09
APPD.	???????	01 14 09



DWG NO.
31049M989080