

DATE
JUNE 14, 2010
CAT. #: HB7/58

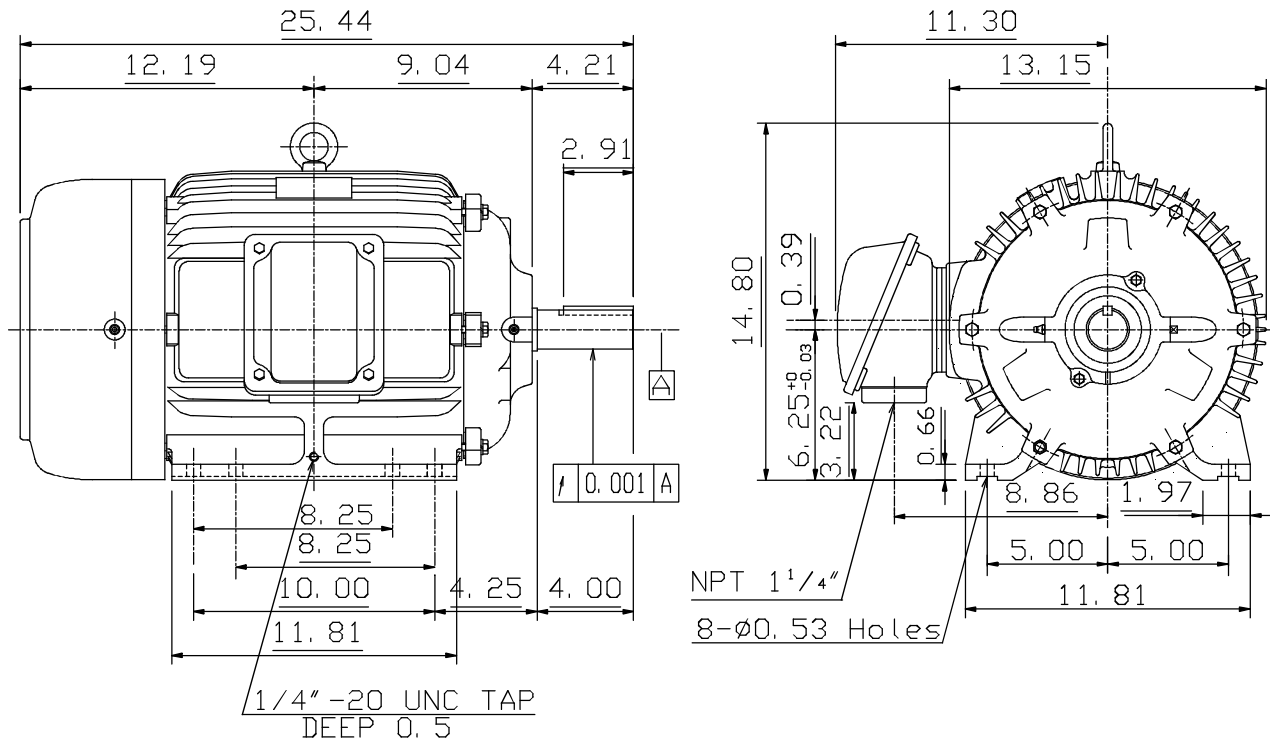
OUTLINE DIMENSIONS
3-PHASE INDUCTION MOTOR

MOTOR TYPE:
AEHH8B
FRAME NO. 256T

Pole	HP	kW	Hz	VOLT	Syn. Speed r/min(rpm)
8	7.5	5.6	60	460	900

Ins	Rating	Dimension in	Approx Weight	Bearings
F	CONT.	inches	337 lbs.	DE: 6309ZC35CNDE: 6307ZC35C

Totally Enclosed Fan-Cooled Type. Squirrel-cage Rotor.



Note:
1. Motor Vibration: 15 μ .
2. Inpro/Seal in Both End Brackets

① 01. 20. 05 K. L. KUO

DWN. K. L. KUO	06-14-03		DWG NO.
CHKD. C. H. KAO	06-17-03		31049M626311