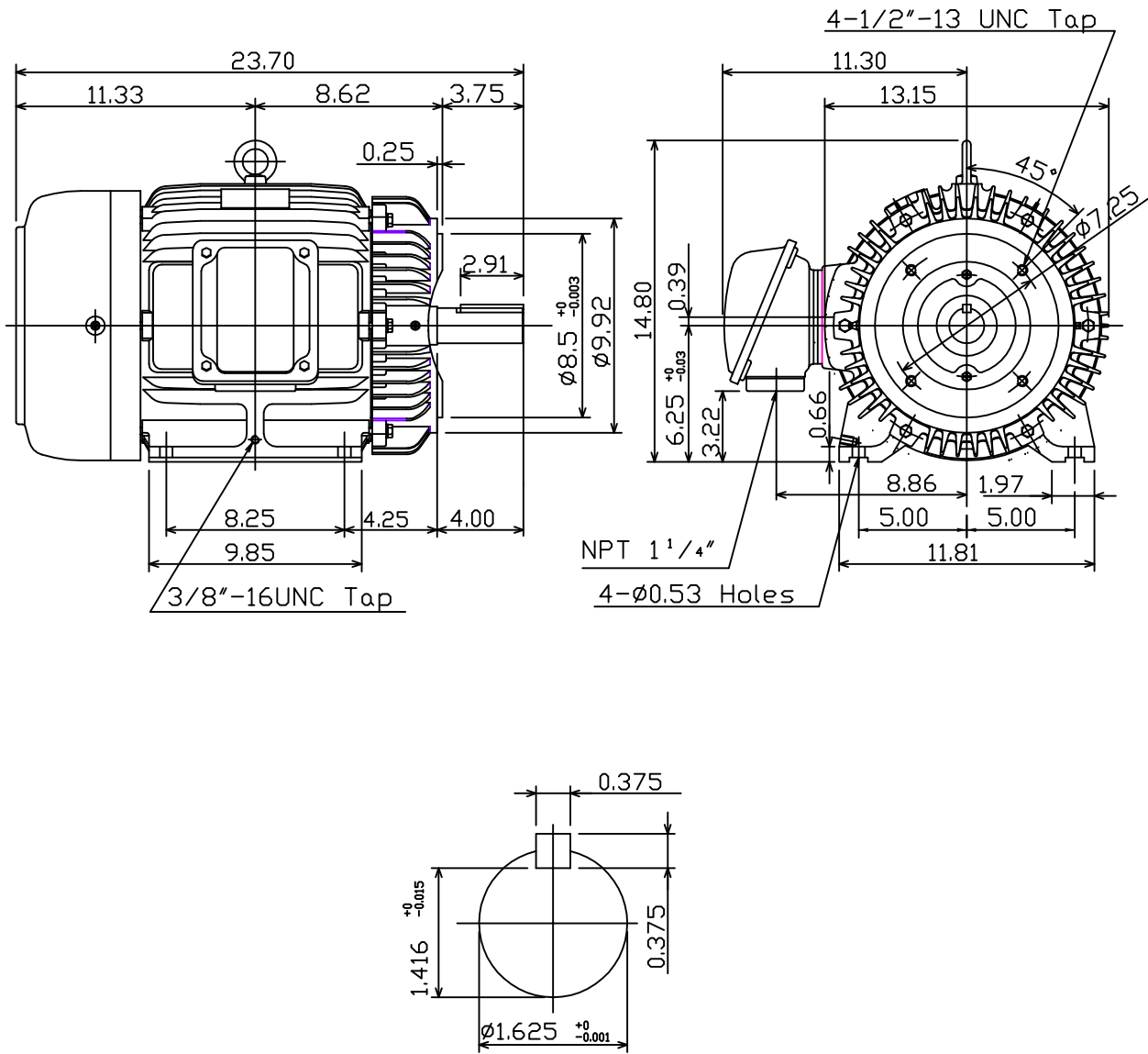


DATE January 20, 2009	<b>OUTLINE DIMENSIONS</b> 3-PHASE INDUCTION MOTOR	MOTOR TYPE: AEHH8B-CF
CAT. #: HB7/56C		FRAME NO. 254TC

Pole	HP	kW	Hz	VOLT	Syn.Speed r/min(rpm)
6	7.5	5.6	60	460	1200

Ins	Rating	Dimension in	Approx Weight	Bearings
F	CONT.	inches	310 LBS	DE: 6309ZC3 NDE: 6307ZC3

Totally Enclosed Fan-Cooled Type. Squirrel-cage Rotor.



Note:  
1. With Inpro Seals On Both End.

◇		
---	--	--

DWN. ???????	01 07 09	<b>TEC</b> <b>Westinghouse</b>	DWG NO.
CHKD. ???????	01 14 09		31049M625660
APPD. ???????	01 14 09		