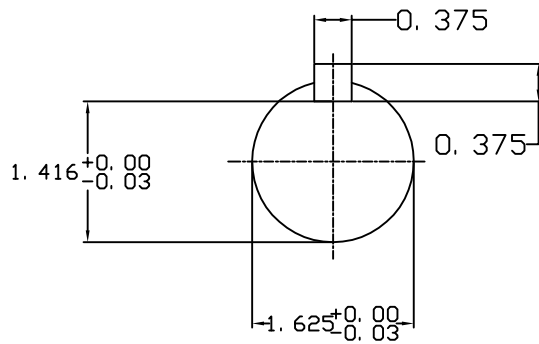
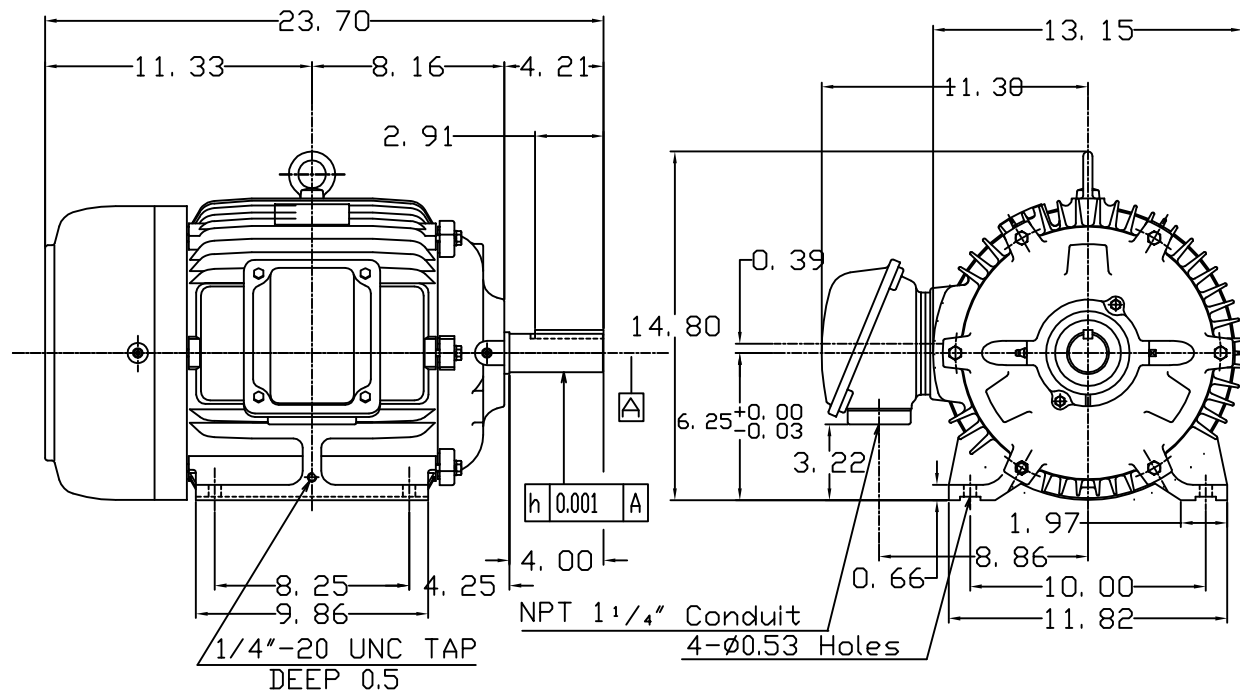


DATE JUNE 17, 2010	OUTLINE DIMENSIONS 3-PHASE INDUCTION MOTOR	MOTOR TYPE: AEHH8B
CATALOG NO. HB7/56		FRAME NO. 254T

Pole	HP	KW	Hz	VOLT	Syn.Speed RPM
6	7.5	5.6	60	460	1200

Ins	Rating	Dimension in	Approx Weight	Bearings
F	CONT.	inches	297 lbs.	DE: 6309ZC35C NDE: 6307ZC35C

Totally Enclosed Fan-Cooled Type, Squirrel-cage Rotor.



①			
---	--	--	--

DWN.	簡學民	12·04·98
CHKD.	高金星	12·10·98
APPD.	黃友伯	12·10·98

TECO Westinghouse

DWG NO.
31049HB625062