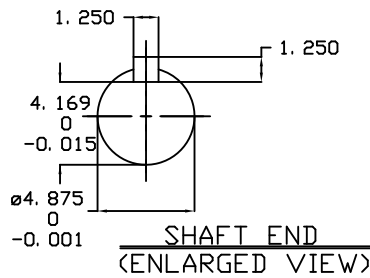
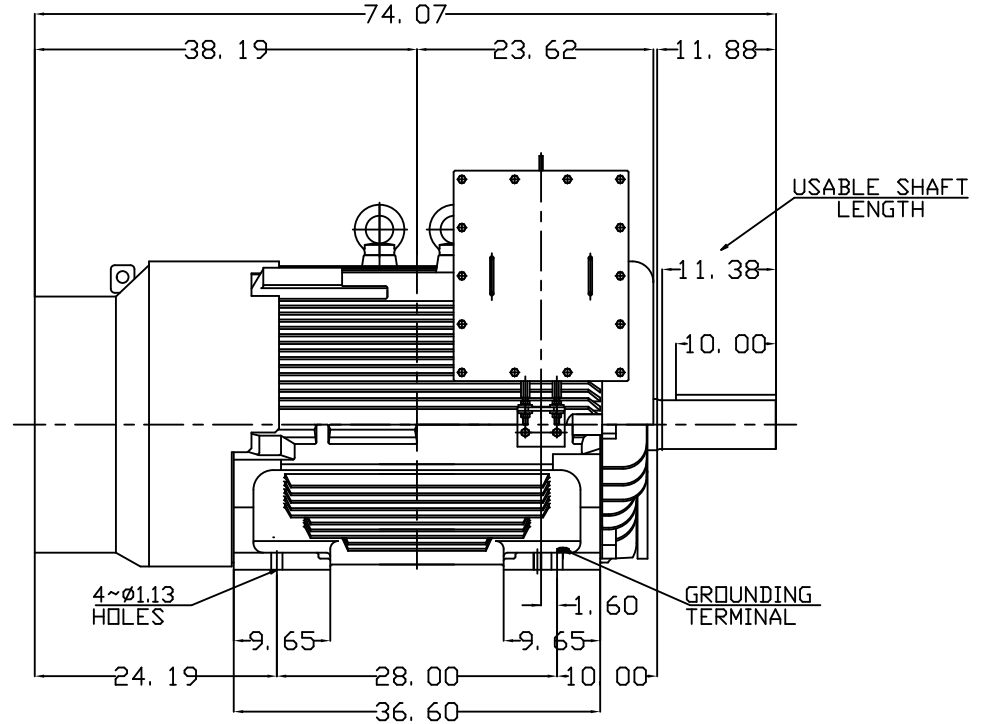
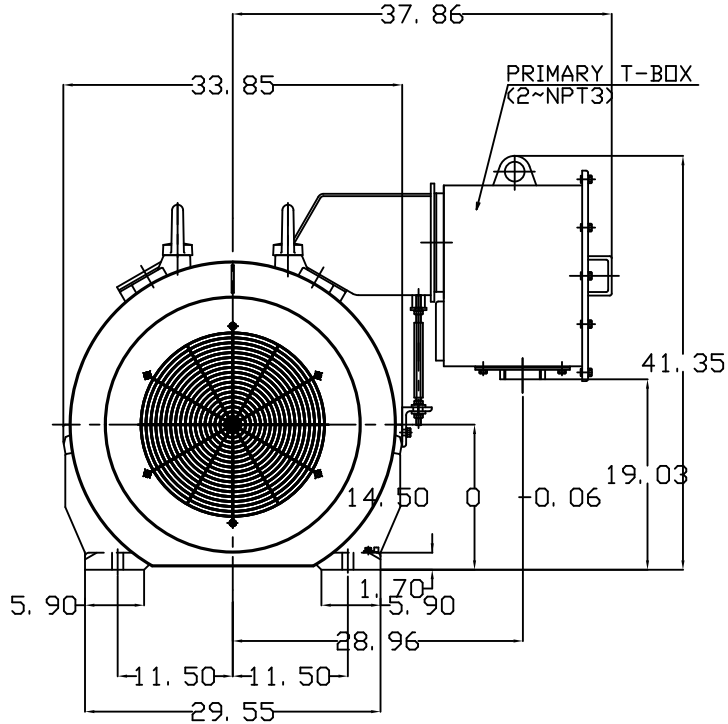


| TYPE | OUTPUT | | POLE | TIME RATING | VOLTAGE V | Hz | SYN.SPEED R.P.M |
|---------|--------|-----|------|-------------|-----------|----|-----------------|
| | HP. | kW. | | | | | |
| AEHH-8B | 500 | 373 | 6 | CONT. | 460 | 60 | 1200 |

TOTALLY ENCLOSED FAN-COOLED TYPE, SQUIRREL-CAGE ROTOR



NOTE:

1. DIMENSIONS IN inch
2. FRAME NO. 5808B
3. F CLASS INSULATION, S.F.1.15
4. FOR DIRECT FLEXIBLE COUPLING
5. ENCLOSURE: IP55
6. BEARING SIZE: DRIVE-END 6326C3
OPP. DRIVE-END 6322C3
7. BOTH ENDS BEARING ARE INPRO SEAL
8. NON-SPARKING FAN
9. MOTOR APPROX. WEIGHT: 5600 lb

| | | | |
|-------|-----------|-------------------------|------------------|
| DATE | 3-25-2015 | OUTLINE DIMENSIONS | |
| | HB5006 | 3-PHASE INDUCTION MOTOR | |
| DWN. | J.WU | APR-14-2014 | TEC Westinghouse |
| CHKD. | W.CHENG | APR-28-2014 | |
| APPD. | C.SHIH | APR-28-2014 | |
| | | | DWG NO. REV:00 |
| | | | 4B040C151 |