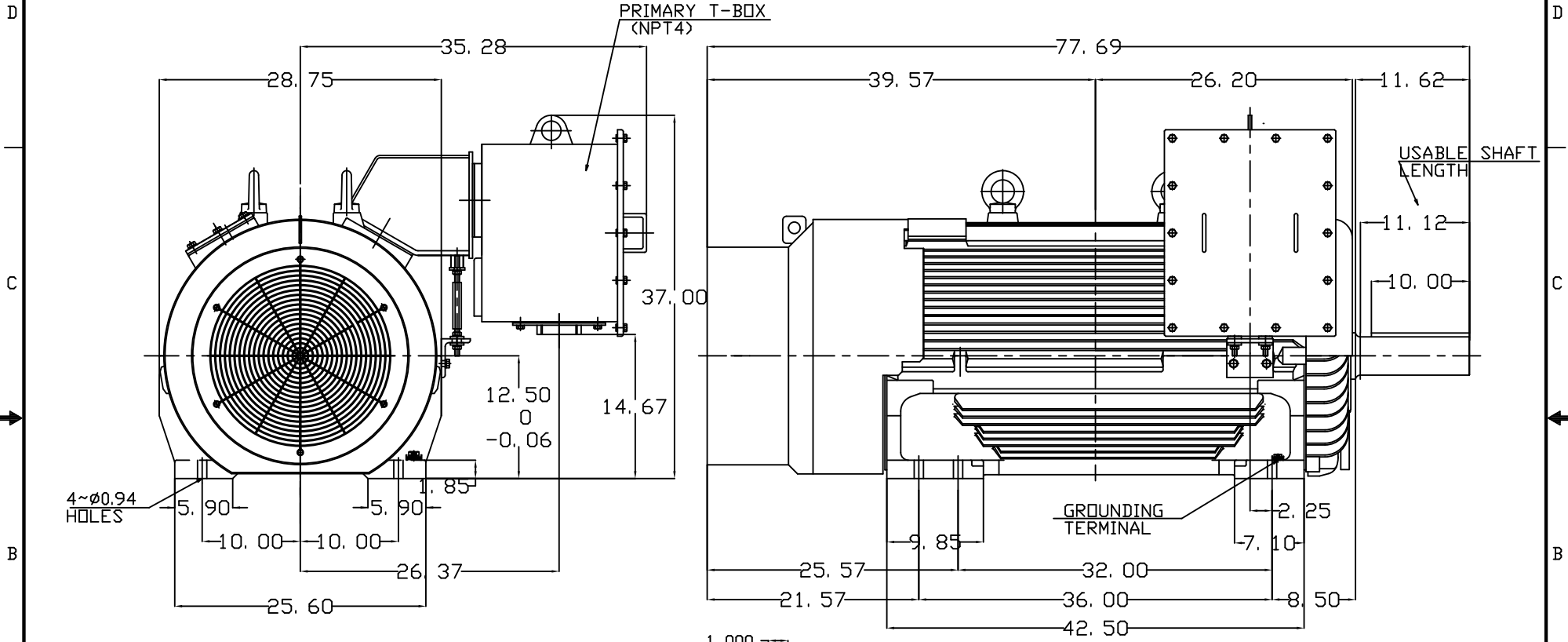


TYPE	OUTPUT		POLE	TIME RATING	VOLTAGE V	Hz	SYN.SPEED R.P.M
	HP.	kW.					
AEHH-8B	500	373	4	CONT.	460	60	1800

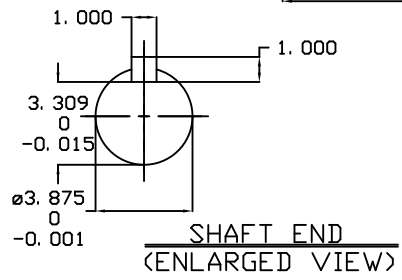
TOTALLY ENCLOSED FAN-COOLED TYPE, SQUIRREL-CAGE ROTOR

PRIMARY T-BOX
(NPT4)



NOTE:

1. DIMENSIONS IN inch
2. FRAME NO. 5011B(5010B)
3. F CLASS INSULATION, S.F.1.15
4. FOR DIRECT FLEXIBLE COUPLING
5. ENCLOSURE: IP55
6. BEARING SIZE: DRIVE-END 6324C3
OPP. DRIVE-END 6320C3
7. BOTH ENDS BEARING ARE INPRO SEAL
8. NON-SPARKING FAN
9. MOTOR APPROX. WEIGHT: 4800 lb



DATE		3-25-2015		OUTLINE DIMENSIONS	
HB5004		3-PHASE INDUCTION MOTOR		DWG NO. REV:00	
DWN.	J.WU	APR-14-2014	TEC Westinghouse		4B040C146
CHKD.	W.CHENG	APR-28-2014			
APPD.	C.SHIH	APR-28-2014			